



# Butterfly School Championships

National Individual and Team Finals 2026



April 25-26, 2026  
WV Active, Aldersley, Wolverhampton

# BUTTERFLY



## THE OFFICIAL SUPPLIER TO ENGLISH SCHOOLS TABLE TENNIS

Butterfly are the official suppliers to the English Schools for all their competition finals as well as the suppliers for the English, Scottish and Welsh senior national championships.



### Easifold DX 22 Rollaway

The table splits into two halves for easy movement and storage. It has a 22mm top with a strong steel frame and magenta corner protectors. Each half has two wheel brakes and height adjusters for a level surface. It arrives assembled—just attach the wheels and it's ready in minutes. Available in blue or green

### Easifold 19 Rollaway

A 19mm indoor playing top version. Available in blue or green.



### Spirit L22 Match Rollaway

The Butterfly Spirit L22 Match Rollaway is the ideal table for schools and clubs. It comes with a 22mm playing top and the centrefold system which allows for ease of movement. It has a protective, strong steel frame with magenta corner pieces, which has a fixed net & post set and is disability friendly.

### Spirit L19 Rollaway

Also available with a 19mm playing top and is available in Blue or Green.



### Compact 19

The Butterfly Compact 19 has a 19mm top with a strong steel frame and magenta corner protectors. Its folding legs make it ideal for limited storage, especially in schools. Includes a clip net and post, 2 reverse sponge bats, and 3 balls. Available in blue and green

### Junior Compact

The Butterfly Junior Compact has a 12mm top with a steel frame and magenta corner protectors. Folding legs make it ideal for schools with limited storage. Includes a clip net and post set, 2 reverse sponge bats, and 3 balls. Available in green only.

For further information please contact Phil McCallum at Ransome Sporting Goods. Tel: 01642 224444  
Email: [pm@rsgsport.com](mailto:pm@rsgsport.com)  
[www.rsgsport.com](http://www.rsgsport.com)

**RANSOME**  
SPORTING GOODS GROUP



**TABLE TENNIS ENGLAND**  
**ENGLISH SCHOOLS' TABLE TENNIS**  
**BUTTERFLY SCHOOL TEAM and INDIVIDUAL**  
**CHAMPIONSHIPS**

**WV Active, Wolverhampton, 25-26 April, 2026**

A very warm welcome on behalf of Table Tennis England to the 2026 Butterfly National Schools Championships.

Well over 1,000 matches will be played this weekend as more than 400 young players competing, making it one of the biggest weekends on the table tennis calendar.

No fewer than 16 national titles are up for grabs, across girls' and boys' competitions in four age groups, and both team and individual honours are contested as the players represent not only themselves but also their schools.

The team competition adds a fantastic element to what is an individual sport, as players support each other in their quest for shared goals. This year sees a doubling in the number of schools competing in the team event, which will be played on a progressive knockout format to decide the final finishing order from 1-8, so expect even more keenly contested matches.

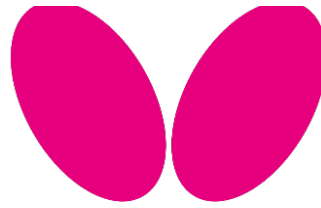
Everyone competing here will be following in the footsteps of some of our finest players, including current national singles champions Tom Jarvis and Tin-Tin Ho, who will be leading England's teams at the ITTF World Team Table Tennis Championships Finals London 2026 Presented by ACN – which start on Tuesday! I hope many of you will have the chance to see them and the rest of the world's best players up close and to dream of matching their achievements.

I would like to thank the staff at WV Active for making us so welcome, our Table Tennis England staff and members of the Schools Committee, our sponsors Butterfly and, particularly, to all the volunteers who give their time to help this event run so smoothly. We are, as ever, very grateful for their dedication to our sport.

Finally, good luck to all of the players. You have already worked very hard to earn your place here and I hope you all play well, respect your opponents and, above all, enjoy the experience.

**Sally Lockyer**  
**CEO, Table Tennis England**

# BUTTERFLY



## WELCOME

On behalf of Butterfly as the official equipment supplier to English Schools' Table Tennis, I am delighted to welcome all of the successful teams and players who have qualified for the Butterfly National School Team and Individual Finals in Aldersley this weekend. Congratulations on your achievement on reaching this stage.

As part of our official equipment supplier agreement, we have provided 36 ITTF approved Butterfly Europa 25mm tables, together with Butterfly Europa 2 net and post sets, Butterfly surrounds, Butterfly scoring machines and the ball which is being used for the World Championships in London over the next two weeks, the Butterfly 3 Star R40 balls for the competition. I hope that all the players enjoy competing with and on our equipment.

I am pleased to see that the entry for both the Butterfly National Schools' Individual Finals and the Butterfly National Schools' Team Finals is again very strong and that we have good representation from all parts of England. The number of teams in the team competition have been doubled this year, which we are pleased to have more youngsters receiving the benefit from playing in the final.

I would like to add our thanks to all of the teachers and parents who have travelled to Aldersley for these competitions this weekend to support the competitors.

In Aldersley our mobile Tees Sport Table Tennis shop will be present. In addition to working with Table Tennis England, we are very keen to develop a mutually beneficial contact with all of the schools, coaches and players within the schools' organisation and, therefore, invite you to visit our stand to discuss any particular questions or other enquiries that you may have regarding equipment. I would be greatly obliged if you could find time during the day to pay us a visit.

Our support for English Schools table tennis extends to the England teams that participate in the Schools International tournaments and we were pleased to be of assistance to the team that participated in the ISF World Schools' International in Bahrain in 2024, the Senior Schools' International in June 2025 in Jersey and for the Primary School International that was played in Scotland this year.

Thank you for supporting the Butterfly National School Team Championship and the Butterfly Individual Schools' Finals. I hope that you have a great tournament.

Best wishes

**Alan Ransome OBE**

Managing Director

Ransome Sporting Goods

Butterfly Distributors for the United Kingdom and Ireland



## THE INDIVIDUAL CHAMPIONSHIPS

We have a group system of play and TWO from each group go through to the knockout stages. There is no consolation event. We cannot announce every match as it would mean almost constant use of the public address system.

Your matches as shown in the programme will be under the strict direction of your table controllers. **Hence you must stay in constant contact with them. If you are not available to play when you are called you will automatically be scratched from that match.** Your co-operation is needed as we have over 800 matches to play today!!

The system for deciding the final positions in each group is calculated as per ITTF Regulations for International Competitions 3.07.05

(For each match in a group, 2 match points will be awarded for a win, 1 match point for a loss in a played match and 0 match points for a loss in an unplayed or unfinished match.

The ranking order shall be determined primarily by the number of match points gained.

If two or more members of the group have gained the same number of match points their relative positions shall be determined by the results only of the matches between those being equal taking successively the ratio of wins to losses in games and points).

All group matches will be played on tables within a designated block. All players will be given a schedule of their matches and umpiring responsibilities. Be sure to be present at the correct table.

Please scan the QR code on this page or on one of the posters around the venue to download editable National Individual Finalist certificates.

No player, regardless of age, will be allowed to buy or consume alcoholic drinks on the premises during the Championships.

English Schools Table Tennis and Table Tennis England are rightly proud of their reputation for good and sporting behaviour at all of its events. I am sure that you will do all you can to maintain this.



Finally, we wish all competitors good luck and I hope that you enjoy your time here at the National Finals.

### OFFICIALS

Organiser	Gail Johns		
Referee	Matt Porter	Deputy Referee	Chris Parker
Officials Catering	Grete Willacy	Chair of Selectors	Steve Burge
Press & Media	Paul Stimpson	Photographer	Alan Man
Photograph Admin	Steve Burge	Shop & Raffle	Steve Burge

### TABLE CONTROLLERS

**Block A:** Fred Coghlin, Mark Gleave, Dave Pilkington, Harry Pilkington, Tom Ray

**Block B:** Chris Cockburn, San Hampson, Jill Harris, Jan Johns, Helen Lower

**Block C:** Cherith Graham, Amy Humphries, Maria Ingles, Maggie Reilly, Chris Parker

**Block D:** Jayne Bardsley, Richard Bardsley, Mirna Hawat, Kate Hughes, Sally Hughes

**UMPIRES:** Alan Buttle, Inky Moss, Marc Ghosh, Paul Nicholls

# BOYS' UNDER-11 GROUPS    BLOCK B

T10	GROUP A		T11	GROUP B		T12	GROUP C	
1	RIMMY Dominic	LN	7	LAM Hayfield	Ch	13	DENNISON Jacob	La
2	REN Andy	Ca	8	CARTER Henry	Du	14	SMITH Charlie	Co
3	GRUBAC Leon	Le	9	FIELDEN Thomas	Nk	15	SUJAY Aarush	LW
4	KEENLYSIDE Harvey	WSx	10	ASHWORTH Otto	T&W	16	HOLLINGWORTH Henry	SY
5	MARELLA Virat	St	11	GOTPAGER Amitav	WY	17	KWAPISZ Finlay	Wo
6	PAHWA Ayansh	Bk	12	SZENLESSY Peter	LS	18	JADEJA Kush	Np

T13	GROUP D		T14	GROUP E		T15	GROUP F	
19	WIERSZYLOWSKI Stefan	My	25	JANMOHAMED Daniyal	He	30	BARNES Jonti	Cv
20	MARSHALL Jacob	Cu	26	NAIK Raghav	Gl	31	WU Yuxuan	Bi
21	MARKS Lucas	LE	27	CLARKE Noah	Ha	32	CAULTON Robbie	Dy
22	WEDGWOOD James	NY	28	THALAGALAGE Thinuka	Sk	33	AZIZ Adam	Ex
23	HOUGHTON Maxi	So	29	CHURCH Rafael	ESx	34	SHORT Dan	Ng
24	DAWSON Calen	K						

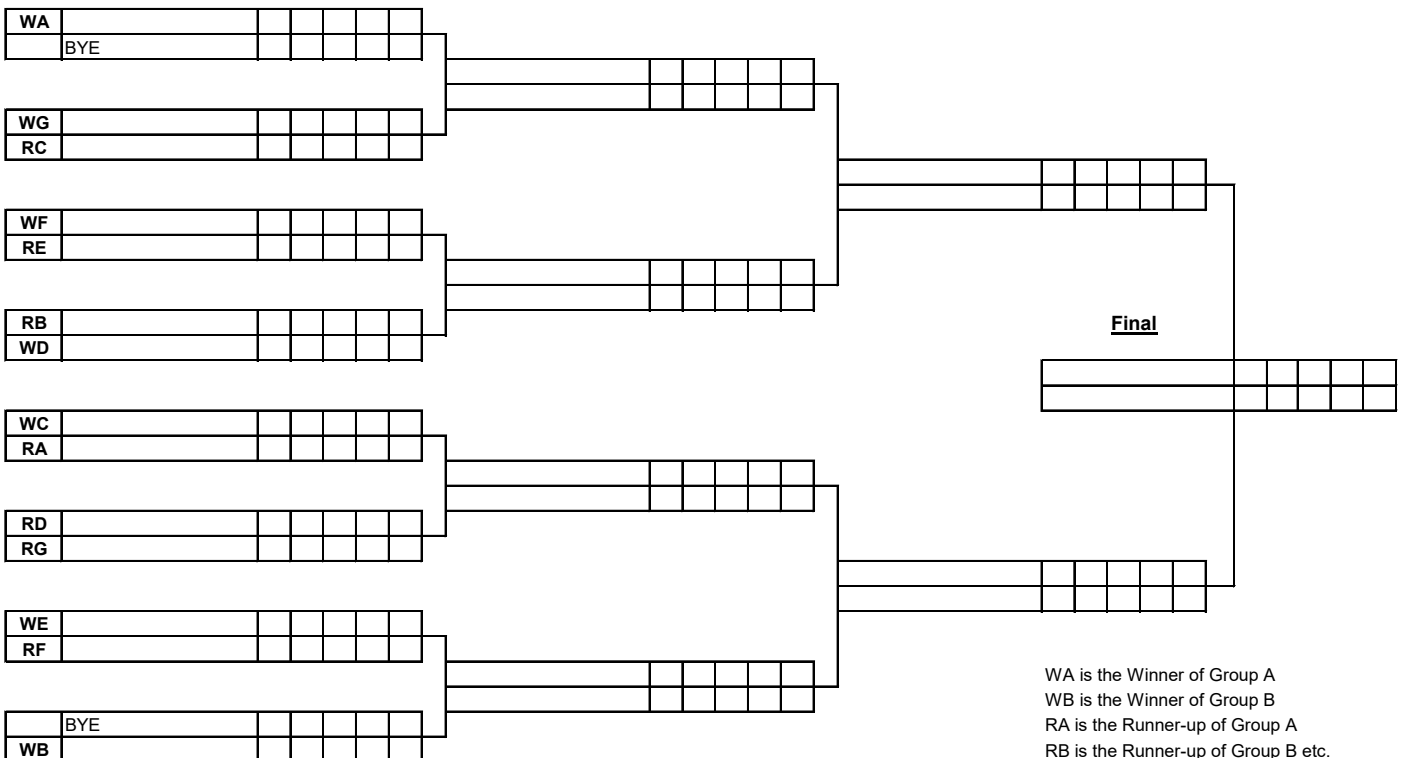
T16	GROUP G	
35	SETHI Sanav	Bd
36	DOMINGO Marshall	Bu
37	HAMER Finn	Dv
38	MATA Lucas	Wa
39	DANNY Tommy	Hu
40	VOGL Jacob	LC

## BOYS' UNDER-11 KNOCKOUT STAGE - BLOCK B

First Round

Quarter Finals

Semi Finals





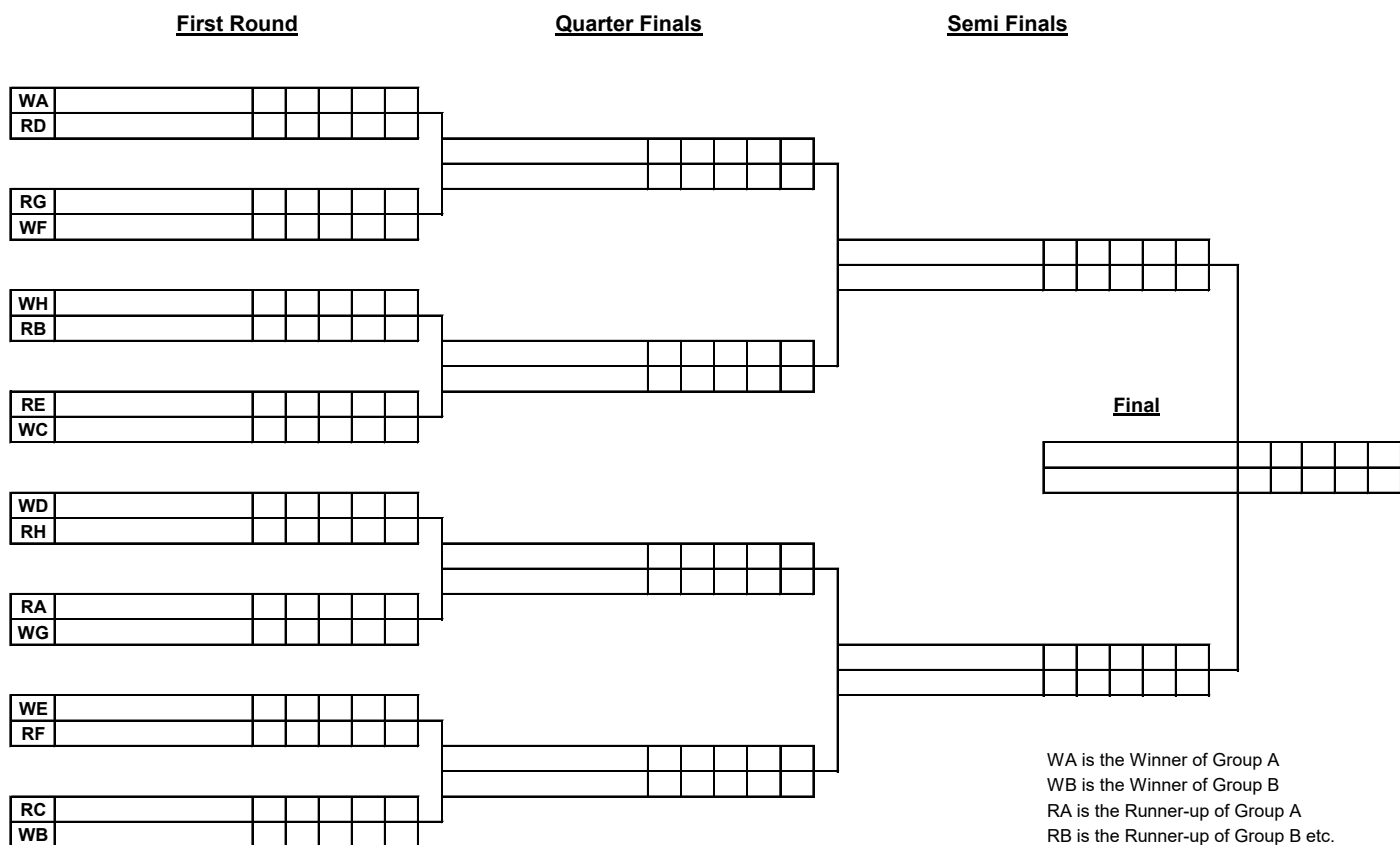
# BOYS' UNDER-13 GROUPS    BLOCK C

T18	GROUP A		T19	GROUP B		T20	GROUP C	
50	SAWANT Rishaan	Bk	56	KUMAR Saisurya	Bu	62	IBRAHIM Mustafa	Bi
G	GRAHAM John	Cv	57	ASBURY Josh	Wo	63	NOCK Oliver	Gl
52	STOCKTON Liam	Ch	58	FREEMAN Isaac	LW	64	HU Ethan	Le
53	LOH Lixin	LC	59	GRACE Heath	Co	65	CHAN Thomas	WSx
54	FIELDHOUSE William	WY	60	ELLIS Thomas	La	66	LAM Nokulus	Wa
55	GOPAL Darsh	Np						

T21	GROUP D		T22	GROUP E		T23	GROUP F	
68	CHEN Li Hao	Li	73	BALAJI Samvit	K	78	DARBY Christopher	He
69	ORTON Nathan	T&W	74	GREAVES Ellis	Cu	79	KAM Ralfie	Sk
70	HOUGHTON Elliott	Ng	75	PHILO Lucas	Nd	80	HODGSON Harry	Hu
71	CASE Ollie	Ha	76	MORTON Joel	Sy	81	COUTHINO Claudio	Ca
72	DAVIES Isaac	Du	77	GLOWACKI Oliver	My	82	CHURCH Gabriel	ESx

T24	GROUP G		T25	GROUP H	
83	KARAVAS Nikolas	LS	89	PATTNI Nayan	Bd
84	MERRILL Nate	NY	90	SMITH Josh	St
85	CHOW Orlando	GtM	91	DURDAK David	SY
86	HUDSON Rhys	BC	92	BABBAR Vivaan	Ex
87	BELHAM Blake	Dv	93	MCCRUM Charlie	So
88	PAVIA Daniel	LE	94	SARRI Zacharia	LN

## BOYS' UNDER-13 KNOCKOUT STAGE - BLOCK C



# GIRLS' UNDER-13 GROUPS    BLOCK B

T9	GROUP A		T10	GROUP B		T11	GROUP C	
250	SAUNDERS Hannah	Ca	256	XIAO XU Isabella	LS	261	O'BRIEN Phoebe	NY
251	FAYAZ Aeyva	Bu	257	WARREN Sophia	Co	262	MYTKO Nicola	SY
252	SOURERAFIL Tania	LW	258	HILLIER Sophie	Ha	263	BRADFIELD Sky	Sk
253	DODDS Sophie	Du	259	WANG Peggy	Np	264	SCIVANI KING Fleur	WSx
254	BINIAM Luliya	WY	260	SVOBODA Saskia	ESx	265	ROBERTS Nyasha	My
255	TURNER SAMUELS Evie	LC						

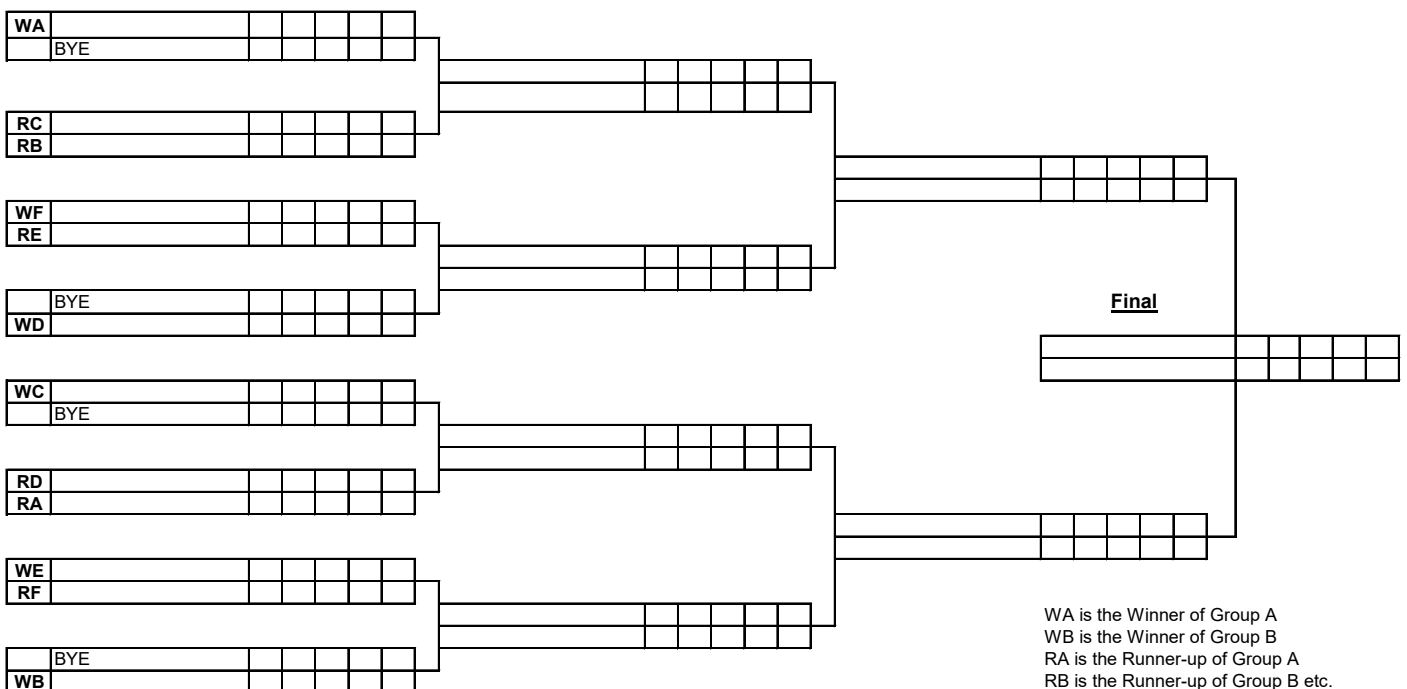
T12	GROUP D		T13	GROUP E		T14	GROUP F	
266	GANDI BAMIDELE Ruby	LN	271	AHLUWALIA Rabani	Bk	276	DAMJI Sakinah	Wa
267	PHILLIPS Maisie	Le	272	LENTAIGNE Grace	Dv	277	HILL Gretchen	Ng
268	GILLIVAN Ava	K	273	MAIN Evie	Cv	278	LAGOMARSINO Luna	Wo
269	VAYZERT Olga	He	274	ABLEWHITE Olivia	St	279	COX Lejla	LE
270	YU Janet	Ch	275	LEE Cherrie	Bi	280	LIU Grace	Ex

## GIRLS' UNDER-13 KNOCKOUT STAGE - BLOCK B

### First Round

### Quarter Finals

### Semi Finals



WA is the Winner of Group A  
 WB is the Winner of Group B  
 RA is the Runner-up of Group A  
 RB is the Runner-up of Group B etc.

# BOYS' UNDER-16 GROUPS    BLOCK A

T1	GROUP A		T2	GROUP B		T3	GROUP C	
100	DAVIDSON Jake	Gl	105	NIKOLLI Oscar	Sy	110	CHOW Kai Lun	Ca
101	GOODALL Euan	Cu	106	CHAN Adrian	Ch	111	KHAZAL Teagan	LC
102	LAI Ian	Bd	107	HODGSON Logan	Co	112	MA Charlie	St
103	ETTRIDGE Will	ESx	108	FERNANDEZ Neil	Le	113	KAMINSKAS Zygis	Sk
104	DRAKE Kai	He	109	OTTERBU Thomas	LS	114	OSMAN Abu	T&W

T4	GROUP D		T5	GROUP E		T6	GROUP F	
115	SAGGU Angad	LW	120	HILL Harrison	Li	125	TOMLINSON Harry	Hu
116	BURNSIDE Charlie	Cv	121	TYAS Dan	BC	126	LYNN James	Bi
117	MYSKA-BUDELLEL Jamie	Dv	122	ATKINSON Jacob	La	127	ASHANI Parsia	LN
118	WEST LEY Tor	Np	123	HOANG Frankie	LE	128	HOWES Finley	Nk
119	DASGUPTA Soumyarit	Bk	124	GREEN Louis	Ex	129	RUNCANU Sebastian	SY

T7	GROUP G		T8	GROUP H		T9	GROUP I	
130	DAMJI Hassan	Wa	135	HILL Winston	Ng	140	KUMAR Rowan	GtM
131	MARKHALL Henry	Av	136	HENSELL Ollie	Ha	141	SHAMAKH Taha	Dy
132	COE Robert	K	137	CHALK Cassius	So	142	SPEIGHT Luke	WY
133	ELLARD Josh	Ox	138	DUFTY Jacob	Wo	143	BUCKLEY Jack	Du
134	CHAU Jayden	My	139	EL HASSAN Ziad	ESx	144	WONG Aaron	NY

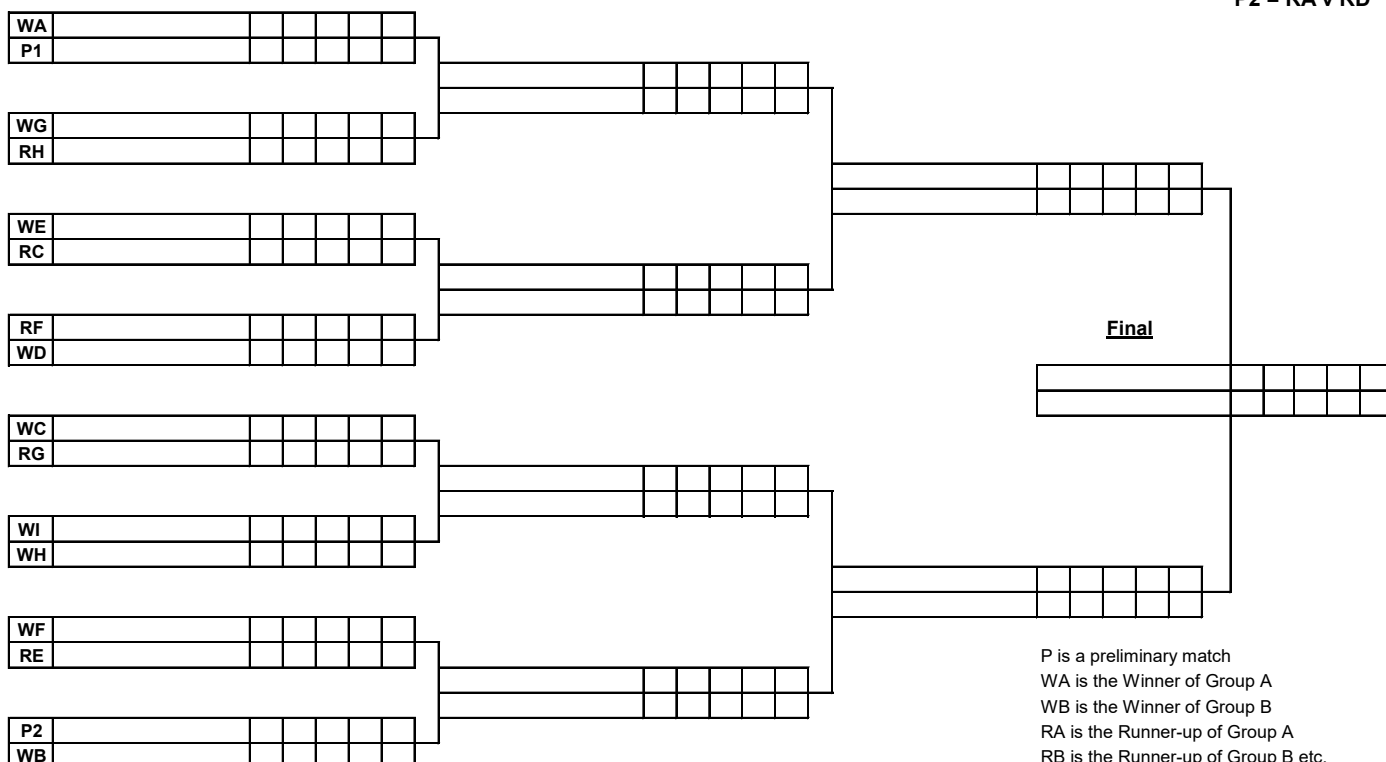
## BOYS' UNDER-16 KNOCKOUT STAGE - BLOCK A

### First Round

### Quarter Finals

### Semi Finals

P1 = RB v RI  
P2 = RA v RD



P is a preliminary match  
WA is the Winner of Group A  
WB is the Winner of Group B  
RA is the Runner-up of Group A  
RB is the Runner-up of Group B etc.

# GIRLS' UNDER-16 GROUPS    BLOCK D

T26	GROUP A		T27	GROUP B		T28	GROUP C	
300	MORRIS Brooke	Gt M	306	LV Catherine	Le	312	TWOMEY Bly	ESx
301	KNIEP Chloe	Be	307	GOODWIN Harriet	Du	313	NISHANTH Vardhini	Ca
302	WANG Grace	LW	308	HAWKINS PITT Ruby	Wo	314	KORIA Tulsi	BC
303	WONG Anna	Ng	309	ALAMINE Nour	LC	315	CHAVAN Zunaira	SY
304	UFTON Millie	Dy	310	DUPREE Madeleine	Gl	316	DAWSON Calina	K
			311	WUN Ria	Ch			

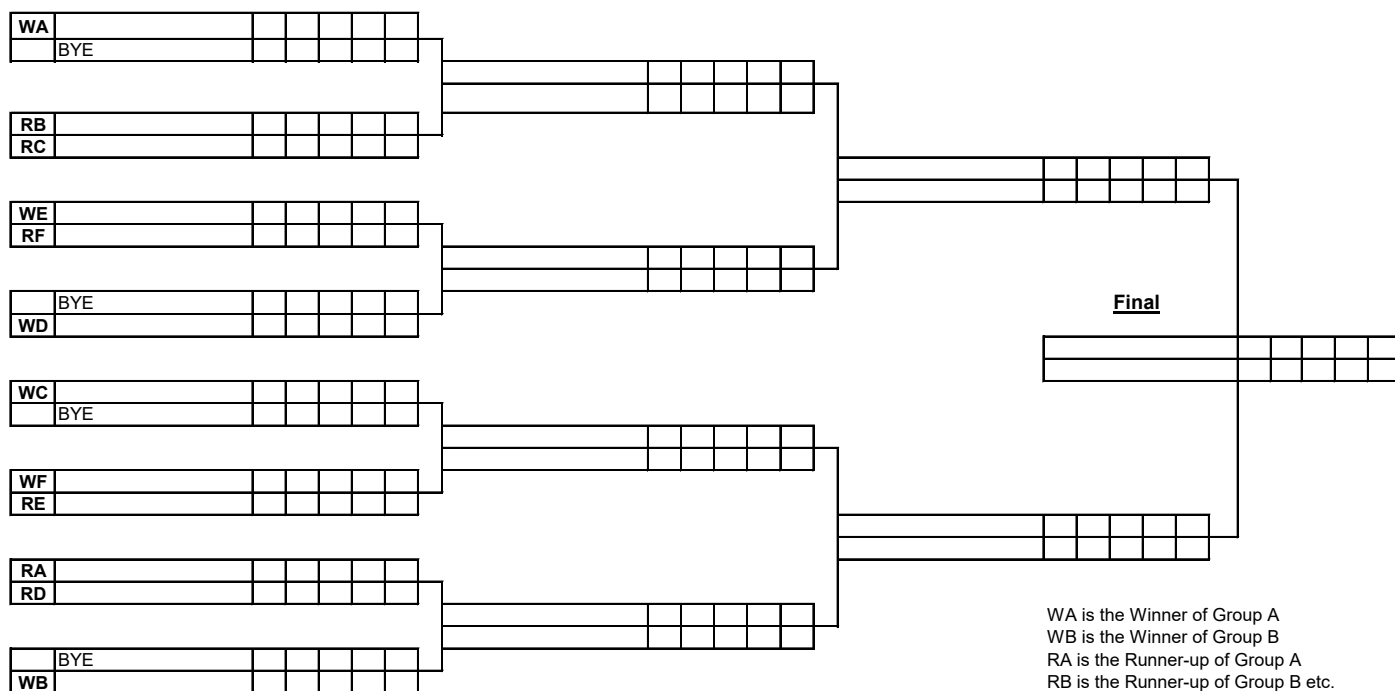
T29	GROUP D		T30	GROUP E		T31	GROUP F	
317	PANG Giana	He	322	WONG Charlotte	Wa	327	LAM Eunice	LS
318	ALTAF Fizzah	WSx	323	ZHUBAYEVA Aliyah	Cv	328	KATWA Janvi	Np
319	LORRANA Isabelly	LE	324	MANUKWA Faith	My	329	CANN Neala	Co
320	MARTIN Evie	St	325	ADEEL Safiyah	WY	330	AMIN Ayah Ahmed	Sy
321	CHANG Monica	Be	326	KNAAPEN Evie	Ex	331	SARRI Assil	LN

## GIRLS' UNDER-16 KNOCKOUT STAGE - BLOCK D

### First Round

### Quarter Finals

### Semi Finals



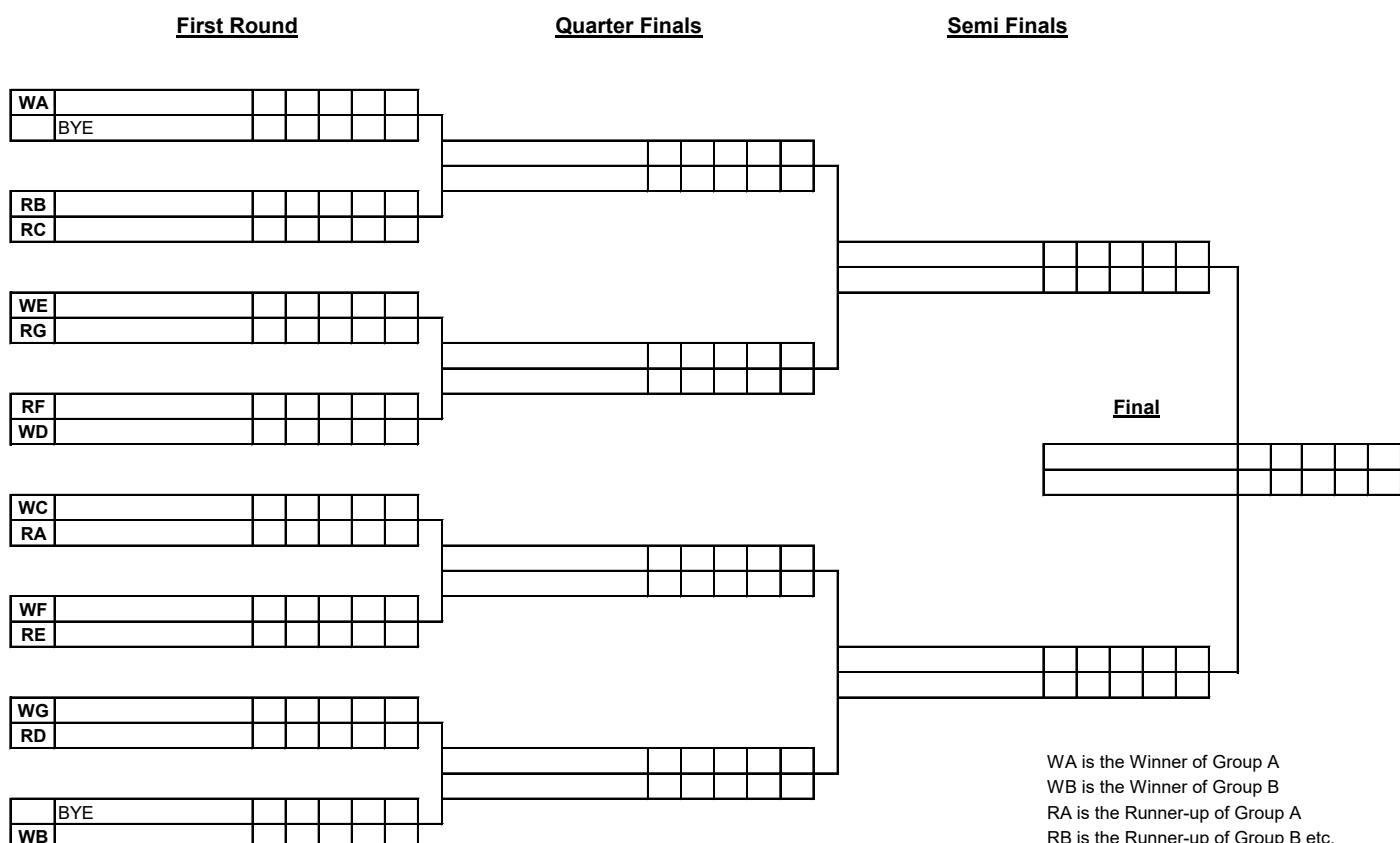
# BOYS' UNDER-19 GROUPS    BLOCK D

T26	GROUP A		T27	GROUP B		T28	GROUP C	
150	YAN MASA Hiko	WY	156	SHAH Janak	LW	162	GREENHOUGH Zac	Cv
151	WANG Sean	Ca	157	TREMBATH Thomas	Co	163	PINDER Liam	Cu
152	UFTON Dylan	Ng	158	GOPAL Shivam	Np	164	THORPE Troy	Li
153	DULOEV Vittorio	WSx	159	FISHER Ben	Wo	165	MAK WAI Fung	Le
154	LEE Karl	Dv	160	TSZ LAM Rex	Sy	166	LJELIKAH Joshua	LE
155	CHAU Liam	My	161	MARSHALL Noah	La	167	CHANG Daniel	Nk

T29	GROUP D		T30	GROUP E		T31	GROUP F	
168	AHLUWALIA Prayrit	Bk	174	BONATO Francesco	LS	180	HOPKINS Will	Hd
169	COOPER Neo	So	175	DALY Daniel	Du	181	EDGAR Ben	SY
170	HUSSAIN Ibrahim	Bd	176	WASI Omar	T&W	182	POLGAR Kristof	BC
171	AWOSIKA Olaola	LC	177	RATHBONE Lawrence	Ch	183	ROBERTS Ellis	St
172	ANTRIM Maxwell	K	178	PANCHAMUKHI Vishnu	He	184	ZANKER Fred	Gl
173	FELL Louis	NY	179	TONNER Angus	ESx	185	WAN Brian	Bi

T32	GROUP G	
186	SHEUNG Chun Wai	Wa
187	HUNT Wilson	Ex
188	VIGNESH Tarumn	Sk
189	ROBERTS James	Do
190	ILIA Joseph	GtM

## BOYS' UNDER-19 KNOCKOUT STAGE - BLOCK D



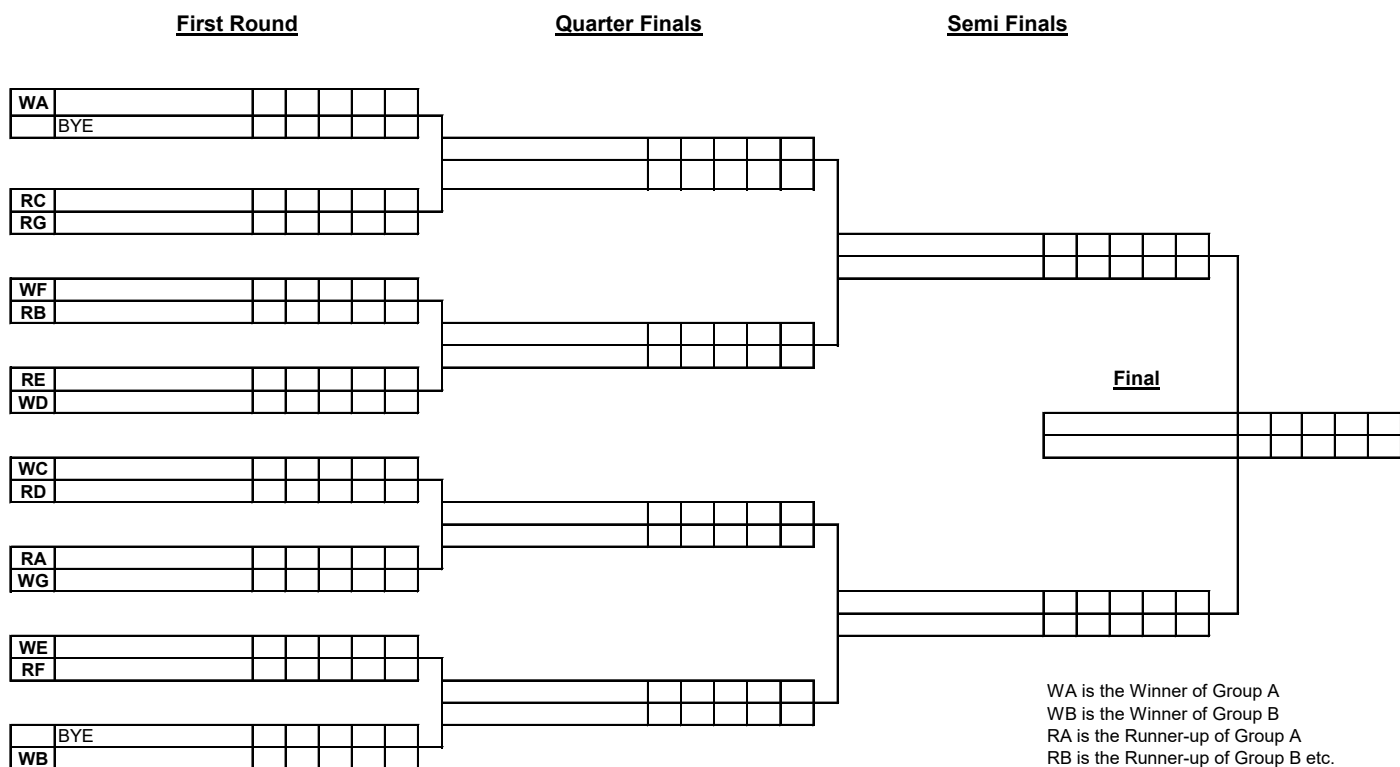
# GIRLS' UNDER-19 GROUPS    BLOCK A

T1	GROUP A		T2	GROUP B		T3	GROUP C	
350	JETHA Sienna	Bu	356	COKER Naomi	Dy	362	BAIG Maliha	LE
351	HOOLEY Sophie	Co	357	HEI LAM Tse	Bk	363	SWAN Susanna	Wa
352	BONDAR Elena	LS	358	WONG Sarah	Gl	364	MAY Jessica	Co
353	ROWSWELL Kirsty	So	359	LEE Chloe	Bi	365	ALCOCK Phoebe	Wo
354	LATIMER Holly	T&W	360	ELFALLAH Daniya	LE	366	WILSON BARKER Molly	La
355	TANSUR Jess	Co	361	EVANS Chloe	K	367	LI Rachel	Ca

T4	GROUP D		T5	GROUP E		T6	GROUP F	
368	HURD Lowri	Li	374	LAKHANI Mia	Bu	379	ECCLES Eva	Li
369	BURRIDGE Ellianna	Ex	375	HAMER Isabella	My	380	SVOBODA Sienna	ESx
370	YUEN Savannah	Ch	376	HEFFER Shannon	Sk	381	DRAKE Millie	WY
371	LAM Hazel	Wa	377	KATWA Meera	Np	382	BOREHAM Millie	Wo
372	DENTON Daisy	Gl	378	LONGMAN Mia	NY	383	ARCHARD Luna	LC
373	AKRED Sophie	Cu						

T7	GROUP G	
384	NOBLE Millie	Dy
385	MAY Jessica	Co
386	VASSILEVA Simona	Bi
387	KENNEDY Kyra	Ch
388	TAGUIBAO Jonabel	LC

## GIRLS' UNDER-19 KNOCKOUT STAGE - BLOCK A



# The 59th NATIONAL SCHOOLS TEAM FINALS



8.30am The Team Coach / Teacher is required to check in at the Registration desk and confirm their registered players on arrival. Any additional team members must be notified at this time.

9.20am General let – Welcome and Housekeeping.

9.30am First matches commence.

Presentations will be made after the conclusion of each age category at the earliest time after the last match.

## OFFICIALS

Team Event Organiser	Chris Parker
Referee	Matt Porter
Deputy Referee	Sally Hughes
Shop and Raffle	Steve Burge & Gail Johns
Photographer	Alan Man
Registration	Chris Parker & Gail Johns
TT Leagues	Neil Hurford & Chris Cockburn
Official Umpires	Richard Grover, Paul Nichols and Mohammad Sadek
Presentations, Photography	Chris Parker & Gail Johns
Presentation of Trophies	Sally Hughes – TTE Board Member

## Where do you play?

Tables 1-4	Boys' Under-13
Tables 5-8	Girls' Under-11
Tables 9-12	Girls' Under-16
Tables 13-16	Boys' Under-19
Tables 17-20	Boys' Under-16
Tables 21-22	Girls' Under-19
Tables 23-26	Boys' Under-11
Tables 27-32	Girls' Under-13

## Match Managers & Umpires

Mark Gleave & Marc Ghosh
Cherith Graham & Mirna Hawat
Amy Humphreys & Mohammed Sadek
Kate Hughes & Hiko Yan Masa
Dave Pilkington & Harry Pilkington
Jayne Bardsley & Richard Grover
Maria Ingles & Fred Coghlan
Helen Lower, Richard Bardsley & Paul Nichols

\* Umpires and Table Managers may change tables during the event, subject to requirements.

Please scan the QR code on this page or on one of the posters around the venue to download editable National Team Finalist certificates.



## Supporters' Code of Conduct

**We are happy that parents and friends support their players in a sportsmanlike manner but would ask that no adverse comments are aimed at or can be heard by your team's opponents. If your team manager has any concerns about behaviour or the correct application of rules they (and only they) should speak to the Match Manager who will deal with it or pass it on to the Referee if appropriate.**

**Butterfly National Schools Team Finalists: Under-11 Boys (Tables: 23-26)**

<b>London Academy</b>	<b>Shakespeare Primary School</b>
1: Dominic Rimmy (51) 2: Kiasha Beheshti (52) 3: David Ciurea (53) 4: David Luca Dobrita (54) 5: Leo Davidson (55)  Coach / Teacher: Eamon Brennan	1: Amitav Gotpager (56) 2: Tubel Mulat (57) 3: Evan Crusty (58) 4: Milan Haiman (59)  Coach / Teacher: Peter Thompson & Shauna Pemberton

<b>Milnthorpe Primary School</b>	<b>Haberdashers' School, Elstree</b>
1: Jacob Marshall (60) 2: Sebastian Gough (61) 3: Krisztofer Vastag (62) 4: Finley Argent (63)  Coach / Teacher: Seamus Hanna	1: Daniyal Janmohamed (64) 2: Rian Pachariwala (65) 3: Riki Shah (66) 4: Ollie Hopkins (67) 5: Roshan Joban Putra (68)  Coach / Teacher: Darren Miller & Zoltan Koszo

<b>The Blue Coat School, Birmingham</b>	<b>Solefield School</b>
1: Yuxuan (Harry) Wu (69) 2: Bowen Shen (70) 3: Bolun (Jasper) Cai (71) 4: Kavan Jutlla (72)  Coach / Teacher: Jenny Liu & Robbie Newman	1: Benedict Brock (73) 2: Zach Buttle (74) 3: Ellis Metcalf (75) 4: Louis Mullins (76)  Coach / Teacher: Carlos Henry

<b>St Just Primary School</b>	<b>Churchfields Junior School</b>
1: Charlie Smith (77) 2: Jack Skerratt (78) 3: Henry Semmens (79) 4: Taylor Rowe (80) 5: Lucas Shirley (81)  Coach / Teacher: David May	1: Adam Aziz (82) 2: Lucas Marks (83) 3: Xavi Mohammed (84) 4: Arjun Nair (85)  Coach / Teacher: Nathanael Joseph

## **Butterfly National Schools Team Finalists: Under-11 Girls (Tables: 5-8)**

<b>London Academy</b>	<b>Gladstone Primary School</b>
1: Rea Kola (1) 2: Darcey Parker (2) 3: Sara Maslina (3) 4: Sophia Shokoohideh (4) 5: Aicha Moutaquime (5) 6: Elexa McEwan (6)  Coach / Teacher: Sherwin Remata	1: Chloe Manalastas (7) 2: Aleksandra Michalik (8) 3: Vanessa Raducanu (9) 4: Lucy Love (10)  Coach / Teacher: Martin Lowe

<b>St Clement's Catholic Primary School</b>	<b>Haberdashers' School, Elstree</b>
1: Jessica Lawrence-Rimmer (11) 2: Eva Andrews (12) 3: Lily-Mae Wallace (13)  Coach / Teacher: Tom Ray	1: Bethany Yang (14) 2: Noor Obalidullah (15) 3: Raina Gandhi (16)  Coach / Teacher: Darren Miller & Zoltan Koszo

<b>Pearl Hyde Community Primary School</b>	<b>Ashford Preparatory School</b>
1: Juliet Nwanoro (17) 2: Deekshitha Nagarajan (18) 3: Tami Ogundele (19)  Coach / Teacher: Richard Jardim	1: Emily Kubay (20) 2: Shona Reddy (21) 3: Darcy Baker (22)  Coach / Teacher: Caroline Morris

<b>St Just Primary School</b>	<b>Fox Primary School</b>
1: Amber Haradine (23) 2: Ava Lewis (24) 3: Georgina Thomas (25) 4: Merryn Martin-Irvine (26)  Coach / Teacher: David May	1: Mia Sebba (27) 2: Ioanna Kasimati (28) 3: Matilda Hopkins (29) 4: Aikaterini (Katerini) Kasimati (30) 5: Emma Chan (31)  Coach / Teacher: Natasha Moura

## **Butterfly National Schools Team Finalists: Under-13 Boys (Tables: 1-4)**

<b>St Paul's School, London</b>	<b>Carmel College</b>
1: Nikolas Karavas (151) 2: Daniel Bordalo (152) 3: Theo Cleanis (153) 4: Alexander Lundgren (154)  Coach / Teacher: Natasha Moura	1: James Finn (155) 2: Nye Denning (156) 3: Demilade Duntoye (157) 4: Nethan Bhoopelly (158)  Coach / Teacher: Ginnie Bonnie & Vijaydaniel Bhoopelly

<b>St Mary's College</b>	<b>Haberdashers' School, Elstree</b>
1: Kaya Eryavuz (159) 2: Archie Green (160) 3: William Green (161) 4: Deniz Berker (162) 5: Thomas Locke (163) 6: Aiden Johnston (164)  Coach / Teacher: Helen Savage & Dave Graham	1: Vihaan Mittal (165) 2: Krit Dahal (166) 3: Colin Jiang (167) 4: Aditya Sethi (168)  Coach / Teacher: Darren Miller & Zoltan Koszo

<b>St George's School, Edgbaston</b>	<b>The Judd School</b>
1: Yusuf Merali (169) 2: Jacob Sharma (170) 3: Charles Keenan (171) 4: Ammar Bandali (172) 5: Rueben Gagan (173)  Coach / Teacher: Chris Perrin	1: Samvit Balaji (174) 2: Jack Fry (175) 3: Derek Yu (176) 4: Matteo Palmucci (177)  Coach / Teacher: Clark Chow

<b>Millfield Preparatory School</b>	<b>Wallington County Grammar School</b>
1: Josef Davies (178) 2: Charlie McCrum (179) 3: Ralph Hodgson (180) 4: Jerry Liu (181)  Coach / Teacher: Beatriz Velasco	1: Ethan King (182) 2: Adam Raffiq (183) 3: Toshiro Franklin (184) 4: Samarth Choudhary (185) 5: Ethan Steenhuisen (186)  Coach / Teacher: Goran Maric

**Butterfly National Schools Team Finalists: Under-13 Girls (Tables: 27-32)**

<b>London Academy</b>	<b>Laurence Jackson School</b>
1:Serene Rhamani-Walentynska (101) 2: Alexia-Bianca Ciobanica (102) 3:Ruby Rebecca Gandi Bamidele (103)  Coach / Teacher: Bhavin Savjani	1: Mindy Gao (104) 2: Mila Gao (105) 3: Evie Main (106)  Coach / Teacher: John Main

<b>The King's (The Cathedral) School</b>	<b>Dorothy Stringer School</b>
1: Hannah Saunders (107) 2: Amber Lemmon (108) 3: Isabella Zalnieriunaite (109)  Coach / Teacher: Kyle Nosworthy	1: Saskia Svoboda (110) 2: Leila Sue (111) 3: (112)  Coach / Teacher: James Gill & Teresa Bennett

<b>Colchester County High School for Girls</b>	<b>Bradford Grammar School</b>
1: Adhuna Das (113) 2: Hanusri Mohansundar (114) 3: Annabel Dix (115)  Coach / Teacher: Lucy Freeman	1: Hamnah Chaudhry (116) 2: Maryam Akhtar (117) 3: Eshaal Tariq (118)  Coach / Teacher: Andrew Crabtree & Isaac Barber

## **Butterfly National Schools Team Finalists: Under-16 Boys (Tables: 17-20)**

<b>London Academy</b>	<b>Charles Read School</b>
1: Adam Riadi (251) 2: Yacoub Rahmani-Walentynski (252) 3: Connor Godley (253) 4: Stefan Pop (254) 5: Lewis Macsween (255) 6: Ethan O'Leary (256)  Coach / Teacher: Gabriel Achampong	1: Abraham Sellado (257) 2: Theo Kniep (258) 3: Harrison Hill (259) 4: Ryan Holland (260) 5: Adam Watson (261)  Coach / Teacher: Alex Green

<b>The Liverpool Blue Coat School</b>	<b>The King's (The Cathedral) School</b>
1: Ranveer Chohan (262) 2: Reece He (263) 3: Keshav Harave (264) 4: Ollie Yu (265)  Coach / Teacher: Edward Carney	1: Wilson Zheng (266) 2: Lewis Wu (267) 3: Terry Zheng (268) 4: Adil Thobani (269) 5: Ayaan Thobani (270)  Coach / Teacher: Kyle Nosworthy

<b>Warwick School</b>	<b>Dorothy Stringer School</b>
1: Toby John (271) 2: Toby Roe (272) 3: Shivam Gupta (273) 4: Matei Grecu (274)  Coach / Teacher: Pete Titmus	1: Ryan Goodier (275) 2: Finley Aitken (276) 3: Hamza Gameda (277) 4: Daniel Sue (278)  Coach / Teacher: James Gill & Teresa Bennett

<b>Marling School</b>	<b>Reading School</b>
1: William Richards (279) 2: Niall Walker (280) 3: Benji Day-Lewis (281) 4: Jack Brown (282)  Coach / Teacher: Kieron Stephens	1: Soumyajit Dasgupta (283) 2: Aarav Pahwa (284) 3: Vihaan Thakur (285) 4: Oliver Gou (286)  Coach / Teacher: Raj Patel & Steve Allen

## **Butterfly National Schools Team Finalists: Under-16 Girls (Tables: 9-12)**

<b>London Academy</b>	<b>The Grammar School at Leeds</b>
1: Soraya Rahmani-Walentynska (201) 2: Assil Sarri (202) 3: Naomi Adeji (203)  Coach / Teacher: Hiba Feredj	1: Anisha Kant (204) 2: Melis Gul (205) 3: Sylvie Nichols (206)  Coach / Teacher: Lee James

<b>The King's School, Harpenden</b>	<b>Arden Academy</b>
1: Elina deJong (207) 2: Erinayo Ijiti (208) 3:                   (209)  Coach / Teacher: Cefyn Jones	1: Hailey Lam (210) 2: Hazel Lam (211) 3: Sheryl Chiu (212)  Coach / Teacher: James Edwards & Calvin Lam

<b>Kendrick School</b>	<b>Cape Cornwall School</b>
1: Chloe Kniep (213) 2: Akshara SV Pillai (214) 3: Kaavya Pathak (215)  Coach / Teacher: Laura Watkins	1: Jessica May (216) 2: Sophia Warren (217) 3: Molly Maddern (218)  Coach / Teacher: Sam Yeo & David May

<b>The St Marylebone CE School</b>	<b>Dorothy Stringer School</b>
1: Zeina Negm (219) 2: Nour Alamine (220) 3: Eva Yared (221)  Coach / Teacher: Vishal Sharda	1: Sienna Svoboda (222) 2: Makia Gameda (223) 3: Lois Muggleton (224)  Coach / Teacher: James Gill & Teresa Bennett

## **Butterfly National Schools Team Finalists: Under-19 Boys (Tables: 13-16)**

<b>King Edward VI Grammar School, London</b>	<b>Grantham College</b>
1: Callum Heath (351) 2: Kuzey Musabak (352) 3: Charlie Gould (353) 4: Oscar Hutt (354) 5: Oliver Cheung (355) 6: Jason Wong (356)  Coach / Teacher: Lewis Headon	1: Harry Street (357) 2: Noah Levens (358) 3: Troy Thorpe (359) 4: Harley Guy-Sinclair (360) 5: Mason Neil (361)  Coach / Teacher: Olly Tyndall

<b>Manchester Grammar School</b>	<b>Bilborough College</b>
1: Hui Yeung (Elliott) Chan (362) 2: Monty Super (363) 3: Tim Ye (364) 4: Kenton Leung (365)  Coach / Teacher: Dan Millington	1: Dylan Ufton (366) 2: Eddie Fletcher (367) 3: Edmund Liu (368) 4: Shubham Phuyal (369)  Coach / Teacher: Kay McKenzie

<b>Tudor Grange Academy, Solihull</b>	<b>Reading School</b>
1: Rex Ho (370) 2: Maysum Damji (371) 3: Haymas Ng (372) 4: Nokulus Lam (373)  Coach / Teacher: Antek Paszkowski	1: Prayit Ahluwalia (374) 2: Rishaan Sawant (375) 3: Ethan Zeng (376) 4: Sahil Tekurkar (377)  Coach / Teacher: Raj Patel & Steve Allen

<b>Dr Challoner's Grammar School</b>	<b>Carlton le Willows Academy</b>
1: George Driscoll (378) 2: Rohan Bhide (379) 3: Andrew O'Sullivan (380) 4: Matthew Wong Yan Man (381)  Coach / Teacher: Jonny Carpenter	1: Ali Iqbal (382) 2: Khizer Ajmal (383) 3: George Goodwin (384) 4: Finley Doel (385)  Coach / Teacher: Adam Dennison & Ben Robertson

## **Butterfly National Schools Team Finalists: Under-19 Girls (Tables: 21-22)**

<b>St George's Catholic School</b>	<b>St Mary's College</b>
1: Luna Archard (301) 2: Leona Nerona (302)  Coach / Teacher: Maria Guillin	1: Isabella Hamer (303) 2: Nyasha Roberts (304)  Coach / Teacher: Dave Graham

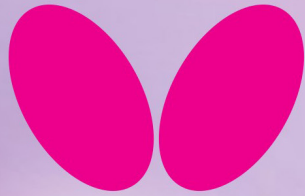
<b>Prince Henry's High School</b>	<b>Dr Challoner's High School</b>
1: Phoebe Allcock (305) 2: Millie Boreham (306) 3: Amy Loveridge (307)  Coach / Teacher: John McKay	1: Sienna Jetha (308) 2: Mia Lakhani (309)  Coach / Teacher: Archana Kanabar

# Follow results on TT Leagues

Scan the QR code to visit TT Leagues, where you can find full results of every match in the Butterfly National Schools Team Finals 2026



# BUTTERFLY



**FAN ZHENDONG - CHINA**

Olympic Champion 2024

Fan uses a Fan Zhendong ALC blade with Dignics 09c rubber.

