

# Butterfly School Championships

## National Individual and Team Finals 2024



April 27-28, 2024  
WV Active, Aldersley, Wolverhampton

# BUTTERFLY

## A TABLE FOR EVERY NEED



**BUTTERFLY EASIFOLD 19 ROLLAWAY**

The top selling table in the U.K. The Butterfly Easifold offers a 19mm playing top with good bounce & an 8 wheel system, economic storage and lighter rollaway benefits. Also available with a 5mm melamine top for outdoor play and a 22mm for match play.



**BUTTERFLY SPIRIT L19 ROLLAWAY**

An elegant & stylish table with the quickest & easiest system for setting up your table. Available as a 19mm top and a match table with a 22mm top. Outdoor versions are also available with a 4mm and 5mm melamine playing top.



**BUTTERFLY NATIONAL LEAGUE 22**

Recommended as a quality match 22mm table suitable for schools, clubs and sports centres. Protective, strong steel 30 x 38mm frame with stable corner pieces. Supported by a heavy duty undercarriage with four wheels on each half.



**BUTTERFLY COMPACT OUTDOOR**

Ideal, top value table for outdoor use, in schools, home, and garden where storage space is limited. 4mm, melamine playing top, which is more durable. Economic storage & wheels for easy movement. Also available as an indoor version with a 19mm playing top.



**BUTTERFLY ALL WEATHER**

The Butterfly All Weather Table Tennis Table is ideal for use in open spaces such as parks, playgrounds, camps sites. In addition to the long life and heavy duty benefits, the playing surface includes a 9mm High Pressurised Laminated outdoor playing top.



**BUTTERFLY PLAYGROUND**

The Butterfly Playground is suitable as a permanent table for use in open spaces such as parks and school playgrounds and as a better quality table for the garden. It is full size with a 7mm melamine weatherproof top which produces a good bounce and is very durable.



**TABLE TENNIS ENGLAND**  
**ENGLISH SCHOOLS' TABLE TENNIS**  
**BUTTERFLY SCHOOL TEAM and**  
**INDIVIDUAL CHAMPIONSHIPS**



**WV Active, Wolverhampton, April 27th-28th, 2024**

A very warm welcome on behalf of Table Tennis England to the 2024 Butterfly National Schools Championships.

This is one of the biggest and most vibrant events on the table tennis calendar. No fewer than 16 national titles will be decided, across girls' and boys' competitions in four age groups, and with both team and individual honours to be contested.

More than 400 young players will compete in well over 1,000 matches over the weekend, representing not only themselves but also their schools. Although ours is primarily an individual sport, the team element adds a fantastic dynamic as players support each other as they compete for shared goals.

These competitions have a rich heritage dating back several decades – the team competition is being held for the 57th time, while this year is the 49th staging of the individual event.

During that time, a number of winners have gone on to have long and outstanding careers in the sport, including current national singles champions Tin-Tin Ho and Paul Drinkhall as well as Liam Pitchford, Sam Walker, Kelly Sibley, Andrew Baggaley and Matthew Syed, who have all competed at the Olympic Games. Perhaps some of you here this weekend will follow in those footsteps – I urge you all to 'dream big'!

I would like to thank the staff at WV Active for making us so welcome, our Table Tennis England staff and members of the Schools Committee, our sponsors Butterfly and, particularly, to all the volunteers who give their time to help this event run so smoothly. We are, as ever, hugely appreciative of your enthusiasm for and dedication to our sport.

Finally, every player has already worked very hard to earn their place here. I wish you all good luck and I hope you all play well, respect your opponents and, most importantly, enjoy the experience.

**Nick Donald**  
**Chair, Table Tennis England**



## WELCOME

On behalf of Butterfly as the official equipment supplier to English Schools' Table Tennis, I am delighted to welcome all of the successful teams and players who have qualified for the Butterfly National School Team and Individual Finals in Aldersley this weekend. Congratulations on your achievement on reaching this stage.

As part of our official equipment supplier agreement, we have provided 36 ITTF approved Butterfly Europa 25mm tables, together with Butterfly National League net and post sets, surrounds, scoring machines and Butterfly 3 Star R40 balls for the competition. I hope that all the players enjoy competing with and on our equipment.

I am pleased to see that the entries for both the Butterfly National Schools Individual Finals and the Butterfly National Schools Team Finals are again very strong and that we have good representation from all parts of England.

I would like to add our thanks to all of the teachers and parents who have travelled to Aldersley for these competitions this weekend to support the competitors.

In Aldersley our mobile Tees Sport Table Tennis shop will be present. In addition to working with Table Tennis England, we are very keen to develop a mutually beneficial contact with all of the schools, coaches and players within the schools' organisation and, therefore, invite you to visit our stand to discuss any particular questions or other enquiries that you may have regarding equipment. I would be greatly obliged if you could find time during the day to pay us a visit.

Thank you for supporting the Butterfly National Schools Team Championship and the Butterfly Individual Schools Finals. I hope that you have a great tournament.

Best wishes

**Alan Ransome OBE**  
Managing Director  
Ransome Sporting Goods  
Butterfly Distributor for the United Kingdom and Ireland



## THE INDIVIDUAL CHAMPIONSHIPS

We have a group system of play and TWO from each group go through to the knockout stages. There is no consolation event. We cannot announce every match as it would mean almost constant use of the public address system.

Your matches as shown in the programme will be under the strict direction of your table controllers. **Hence you must stay in constant contact with them. If you are not available to play when you are called you will automatically be scratched from that match.** Your co-operation is needed as we have over 780 matches to play today!!

The system for deciding the final positions in each group is calculated as per ITTF Regulations for International Competitions 3.07.05

(For each match in a group, 2 match points will be awarded for a win, 1 match point for a loss in a played match and 0 match points for a loss in an unplayed or unfinished match.

The ranking order shall be determined primarily by the number of match points gained.

If two or more members of the group have gained the same number of match points their relative positions shall be determined by the results only of the matches between those being equal taking successively the ratio of wins to losses in games and points).

All group matches will be played on tables within a designated block. All players will be given a schedule of their matches and umpiring responsibilities. Be sure to be present at the correct table.

No player, regardless of age, will be allowed to buy or consume alcoholic drinks on the premises during the Championships.

English Schools Table Tennis and Table Tennis England are rightly proud of their reputation for good and sporting behaviour at all of its events. I am sure that you will do all you can to maintain this.

Finally, we wish all competitors good luck and I hope that you enjoy your time here at the National Finals.

### OFFICIALS

Organiser	Gail Johns	Deputy Referee	Chris Parker
Referee	Jim Kenny	Chair of Selectors	Steve Burge
Officials Catering	Grete Willacy	Photographer	Alan Man
Press & Media	Paul Stimpson	Shop & Raffle	Sandra Deaton
Photograph Admin	Steve Burge		

### TABLE CONTROLLERS

Block A Steve Burge, Fred Coghlin, Mark Gleave, Steve Lyons, Dave Pilkington,

Block B Sandra Hampson, Jill Harris, Jan Johns, Helen Lower, Demi Reid.

Block C Cherith Graham, Maria Ingles, Maggie Reilly, Chris Parker, Charlotte Spencer.

Block D Jayne Bardsley, Richard Bardsley, Chris Cockburn, Kate Hughes,

UMPIRES A & B - Margaret Dignum, Bernie Leech, Carol Miles, Lynda Reid

C & D - Pat Byrne, Ollie Ingram, Inky Moss, Di St Ledger

# BOYS UNDER-11 GROUPS

# BLOCK B

T9	GROUP A		T10	GROUP B		T11	GROUP C	
1	ALDILIMI Zaid	LC	7	CHEN LI Hao	Li	13	PRASSANA KUMAR Sai	Bk
2	CASE Ollie	Ha	8	UNWIN Freddie	K	14	PHILO Lucas	Cu
3	PAYNE Flynn	NY	9	ZHIVKOV Theo	WSx	15	POOLEY Rex	Le
4	WOODHALL Harry	Wo	10	RAJARAM Sri	Cv	16	CHARLEY Chris	Sy
5	CHOW Orlando	GtM	11	GREGORY Herbie	ESx	17	FIELDHOUSE William	WY
6	CHUNG Theo	Ch	12	GLOWACKI Oliver		18	LAM Nokulus	Wa

T12	GROUP D		T13	GROUP E		T14	GROUP F	
19	CHEN Jayden	Ca	25	SHAMAKH Malek	Ng	30	IBRAHIM Mustafa	Bi
20	POGUL Punav	Du	26	SQUIRES Zack	Dy	31	BYSOUTH Toby	LS
21	JONES Oscar	Sk	27	CHEUNG Alexander	LW	32	BADNARIU Gabriel	So
22	LEVENFICHE Louis	LE	28	BRADLEY Sam	SY	33	SMITH Joshua	St
23	HARMER Jonah	Gl	29	ELLIS Thomas	La	34	SARRI Zacharia	LN
24	HODGSON Harry	Hu						

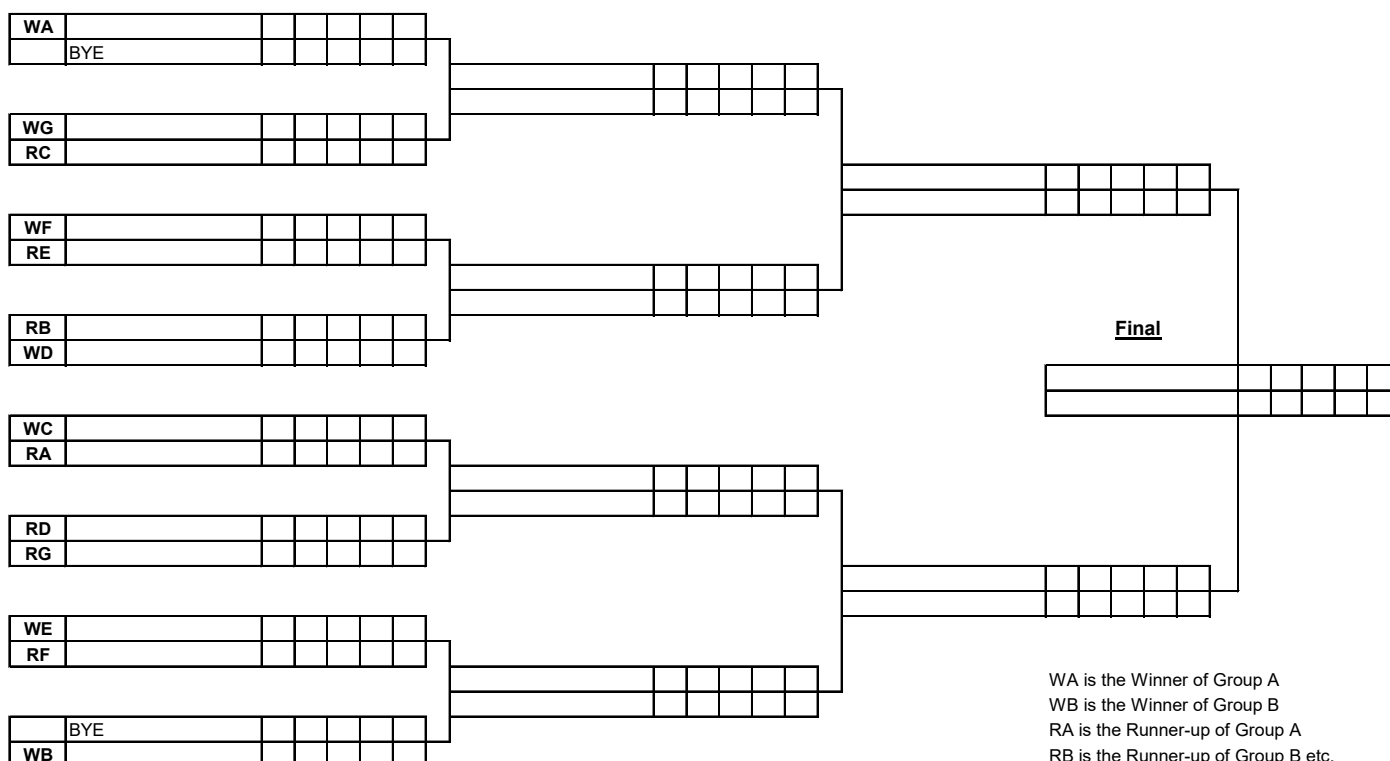
T15	GROUP G	
35	DARBY Christopher	He
36	THOMAS Quba	Bd
37	NGUYEN Thomas	Dv
38	KOSZYK Bartosz	Nh
39	BABBAR Vivaan	Ex

## BOYS UNDER-11 KNOCKOUT STAGE - BLOCK B

### First Round

### Quarter Finals

### Semi Finals



## GIRLS UNDER-11 GROUPS    BLOCK C

GROUP A			GROUP B			GROUP C		
200	LEMMON Amber	Ca	206	RAHMANI WALEN. Serene	LN	212	WAN Grace	Bk
201	DAMJI Sakinah	Bi	207	WILSON Mia	Nh	213	ROLT Emily	Ch
202	NICE Olivia	Ha	208	MAIN Evie	Cv	214	PHILLIPS Maisie	Le
203	NARULA Tejasri	LS	209	ABRAHAM Erin	SY	215	FIELDHOUSE Daisy	WY
204	MASJAKINA Sonya	St	210	MOUNTAIN Imogen	Wo	216	ROYLE Ellie	Hu
205	ROBERTS Nyasha	My	211	COLTMAN Elizabeth	Du	217	TURNER SAMUELS Evie	LC

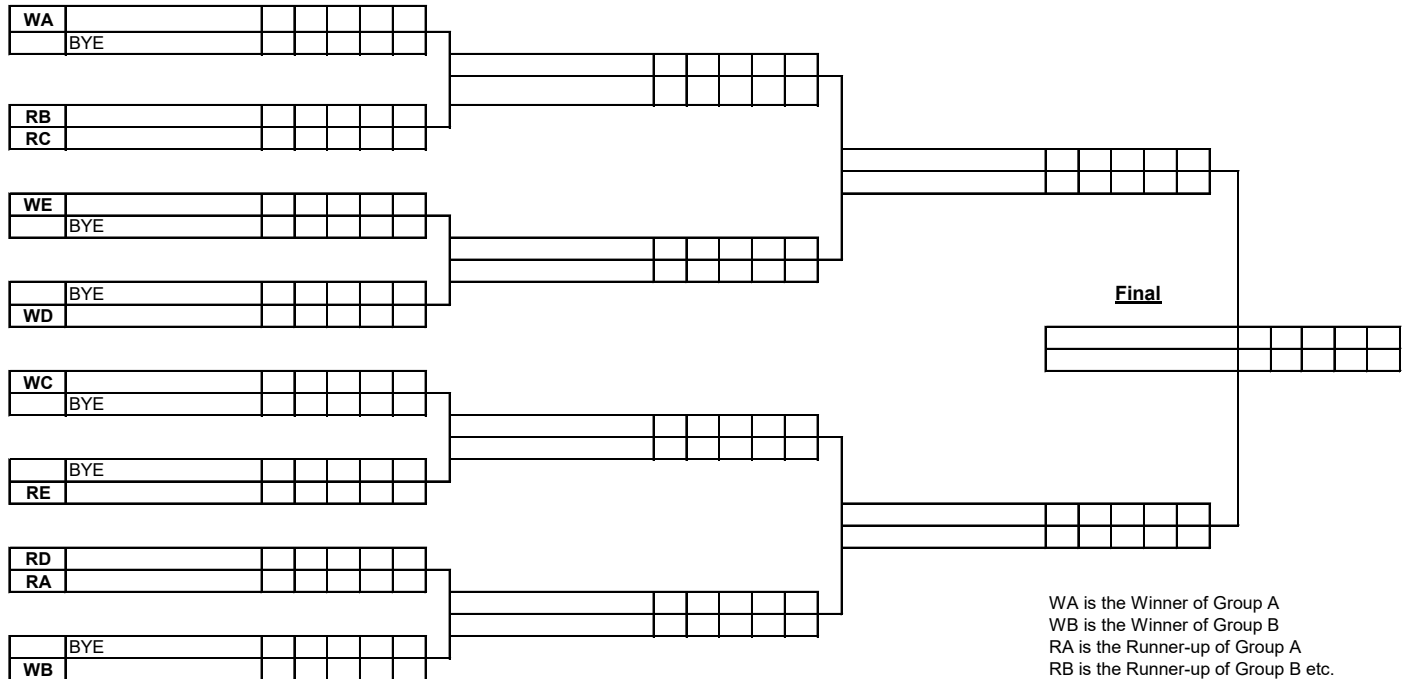
GROUP D			GROUP E		
218	DAS Adhuna	Ex	223	O'BRIEN Phoebe	NY
219	MAHONY Isla	K	224	WONG Dora	Wa
220	WILLIS Elsie	Dv	225	SUE Leila	ESx
221	SILVER Chloe	He	226	FAYINKA Grace	LE
222	ROTHWELL Ameli	Ng	227	YOUNG Maisie	Sk

### GIRLS UNDER-11 KNOCKOUT STAGE - BLOCK C

First Round

Quarter Finals

Semi Finals



# BOYS UNDER-13 GROUPS

# BLOCK C

T17	GROUP A		T18	GROUP B		T19	GROUP C	
50	CHOW Kai Lun	Ca	56	RAMIREZ RIOJA Pablo	He	61	GOODIER Ryan	ESx
51	BURNSIDE Charlie	Cv	57	THOMAS Kaelen	LE	62	LIU Check Long Adrian	Bi
52	HENSELL Ollie	Ha	58	LEUNG Hoy Wen	WSx	63	WONG Derek	LS
53	McLEARY Sebastian	Sk	59	MIYAN Pranay	T&W	64	CHAN Chi Sun Chris	WY
54	HA Aaron	Wo	60	TOMLINSON Harry	Hu	65	COE Robert	K
55	MA Charlie	St						

T20	GROUP D		T21	GROUP E		T22	GROUP F	
66	PARIHAR Aarav	Ex	71	DAVIDSON Jake	Gl	76	NIKOLI Oscar	Sy
67	WILKES Ellis	BC	72	SPARKE Jack	Du	77	GOODALL Euan	Cu
68	COHEN DANIELS Eitan	My	73	HOWES Finley	Nk	78	GOPEL Darsh	Nh
69	ZILU Ji	SY	74	CHAN Jayden	Ch	79	WONG Aaron	NY
70	FUNG CHI YIN Henry	Ox	75	HOLLAND Ryan	Li	80	AHSANI Parsia	LN

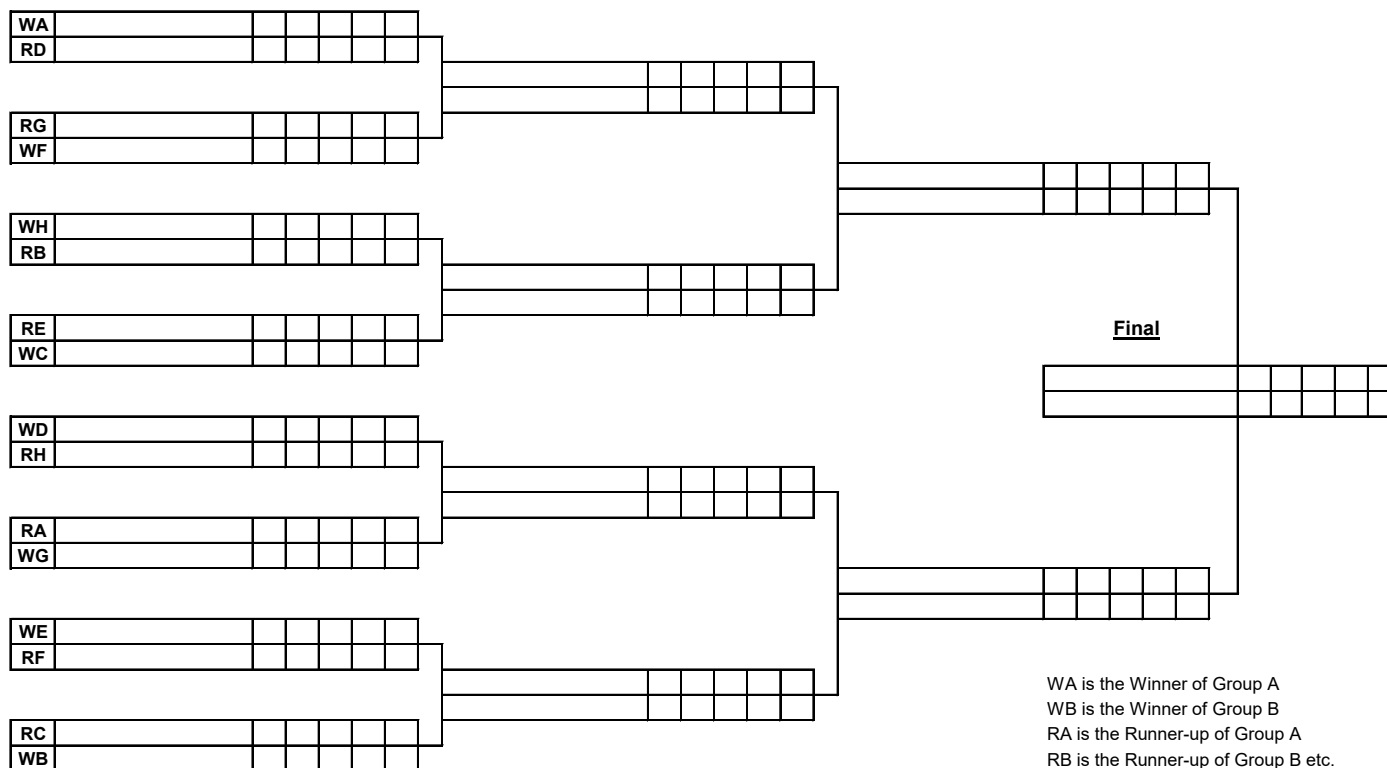
T23	GROUP G		T24	GROUP H	
81	KNIEP Theo	Bk	86	SHAH Nishal	LW
82	ALMEIDA Seth	Dy	87	MALIK Nico	GtM
83	SHAMAKH Taha	Ng	88	ROWELL Charles	Le
84	LIVINGSTONE Santolo	So	89	WALLACE Charlie	Sp
85	HO Rex	Wa	90	KHAZAL Teagan	LC

## BOYS UNDER-13 KNOCKOUT STAGE - BLOCK C

### First Round

### Quarter Finals

### Semi Finals





## GIRLS UNDER-13 GROUPS BLOCK B

GROUP A			GROUP B			GROUP C		
250	NGUYEN Alyssa	Dv	256	SAUNDERS Hannah	Ca	262	MARQUIS Violet Lily	Bd
251	ADEEL Safiya	WY	257	RIGBY Jessica	My	263	GOODWIN Harriet	Du
252	MORRIS Olivia	He	258	MUGGERIDGE Ava	WSx	264	MELERO Ruby	Sk
253	SVOBODA Sienna	ESx	259	PYWELL Grace	Ha	265	RUSSELL Annabel	K
254	GIURGU Alexia	Cu	260	BRADLY Isabelle	Dy	266	MOHIN Inz	LW
255	YARED Eva	LC	261	LIU Grace	Ex	267	KNIEP Chloe	Bk

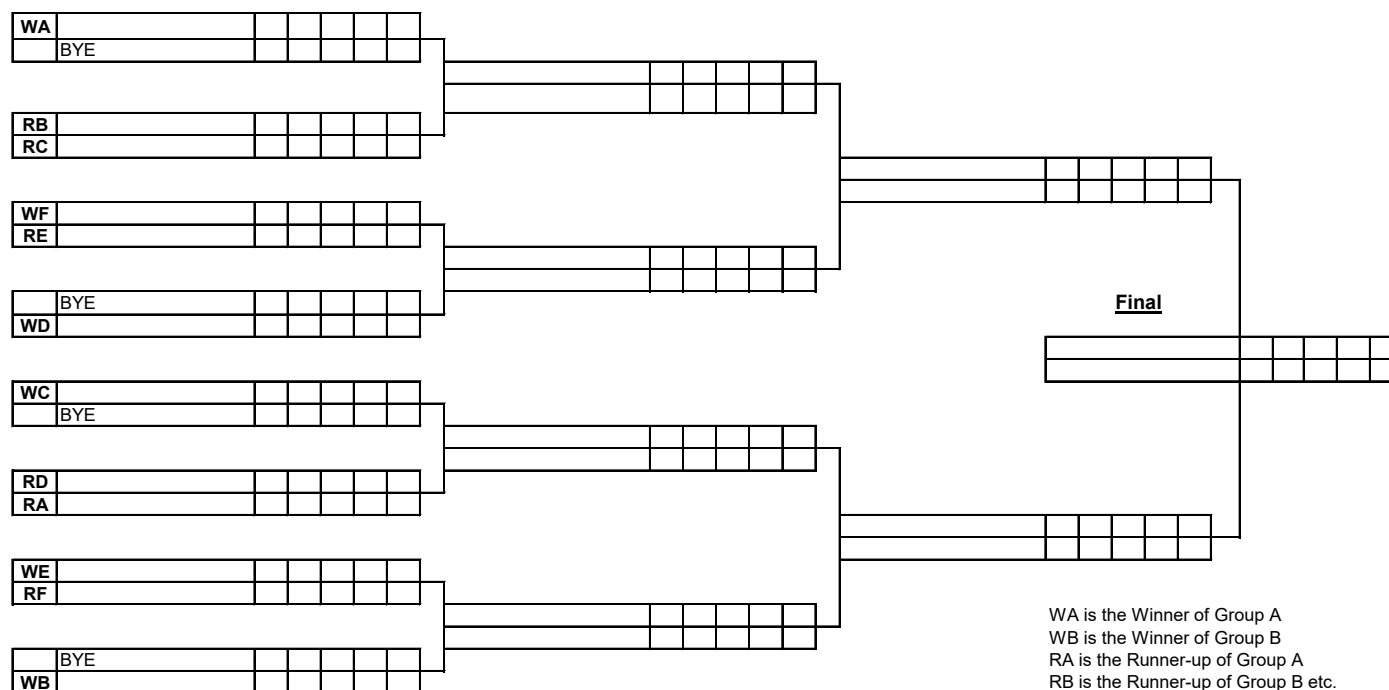
GROUP D			GROUP E			GROUP F		
268	LAM Eunice Lok Yiu	LS	274	WONG Charlotte	Wa	279	PANG Gianna	He
269	CHU Czarine	GtM	275	HAWKINS PITTS Ruby	Wo	280	BIERMANN Frida	Gl
270	CHAVAN Zuriaira	SY	276	PAYNE Rozlyn	NY	281	ZHUZBAYEVA Aliya	Cv
271	TANSUR Jessica	Ng	277	TABITH Adu	LE	282	LYONS Emily	Ch
272	BLOWER Leilani	Nk	278	LV Catherine	Le	283	RAHMANI WALEN Soraya	LN
273	CHEUNG Dorian	T&W						

### GIRLS UNDER-13 KNOCKOUT STAGE - BLOCK B

First Round

Quarter Finals

Semi Finals



## BOYS UNDER-16 GROUPS    BLOCK A

T1	GROUP A		T2	GROUP B		T3	GROUP C	
100	KINGHAM Isaac	Li	106	RADIVEN Max	LN	112	BONATO Francesco	LS
101	SHI Billy	Dy	107	POLGAR Kristof	BC	113	MARSTON Lewis	Ng
102	BYSOUTH Ben	LE	108	HUSSAIN Ibrahim	Bd	114	DAVIDSON Charlie	Gl
103	WATSON Adam	T&W	109	GOHIL Prem	He	115	ROBERTS Ellis	St
104	ERSKINE Evan	WSx	110	KOSZYK Adam	Nh	116	FAIRHEAD Jack	Wi
105	LEES Aidan	Ex	111	WILLIAMS Charlie	La	117	WAN Brian	Wo

T4	GROUP D		T5	GROUP E		T6	GROUP F	
118	WONG Rex	Wa	124	GREENHOUGH Zac	Cv	130	RANDALL Harry	Ha
119	KEMP Ernie	Sy	125	CHENG Aiden	Le	131	PINDER Liam	Cu
120	WU William	Ca	126	HIBBERT Austin	Sp	132	TREMBATH Thomas	Co
121	KAY Ethan	K	127	WITHAM Troy	SY	133	SRNA Sebastian	Hu
122	JOUBERT Pierre	So	128	VIGNESH Tarun	Sk	134	SNELL Philipp	LC
123	HUSSAIN Zain	Bi	129	JAMES Dominic	Ch	135	HOPKINS William	WY

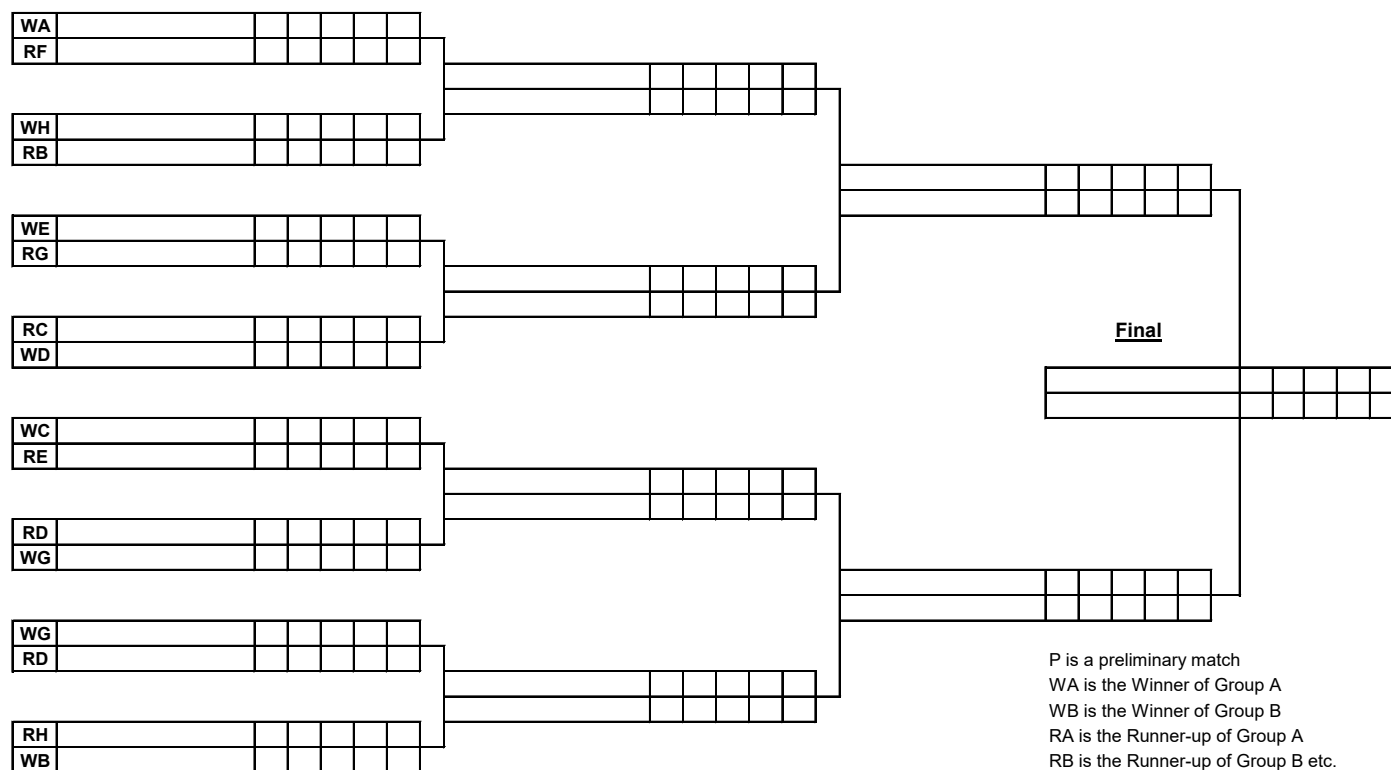
T7	GROUP G		T8	GROUP H	
136	CHAN Elliot	GtM	141	NGUYEN Leo	Dv
137	CAYGILL Christopher	Du	142	PRIESTLY-TONNER Angus	ESx
138	NOTLEY James	Nd	143	CHAU Liam	My
139	FELL Louis	NY	144	CHAN Daniel	Nk
140	SAGGU Angad	LW	145	ALLUWALIA Prayrit	Bk

### BOYS UNDER-16 KNOCKOUT STAGE - BLOCK A

First Round

Quarter Finals

Semi Finals



# GIRLS UNDER-16 GROUPS

# BLOCK D

GROUP A			GROUP B			GROUP C		
300	JETHA Sienna	LN	305	PANG Victoria	He	310	PASHLEY Ella	Li
301	HOOLET Sophie	Co	306	JEFFERS Emily	Le	311	TSE Hei Lam	Bk
302	KNAAPEN Evie	Ex	307	WUN Ria	Ch	312	FERNANDEZ Niylal	LE
303	ABBOTTS Frankie	WSx	308	HEFFER Shannon	Sk	313	JONES Emily	Sp
304	SIMMS Tilly	WY	309	CHAT YAN Rachel	Ca	314	AKRED Sophie	Cu

GROUP D			GROUP E			GROUP F		
315	COKER Naomi	Dy	320	TAGUIBAO Jonabel	LC	325	MORRIS Brooke	GtM
316	CHAN Monica	Bi	321	BRAMHALL Nancy	Hu	326	EVANS Chloe	K
317	NG Macy Kei Yin	LS	322	HAMER Isabelle	My	327	KATWA Meera	Nh
318	CHAN Man Nya Mia	Wa	323	JONES Nerys	Ng	328	HASTIE Erin	SY
319	LAM Gene	Ha	324	LONGMAN Mia	NY	329	TOUSI Lianna	LW

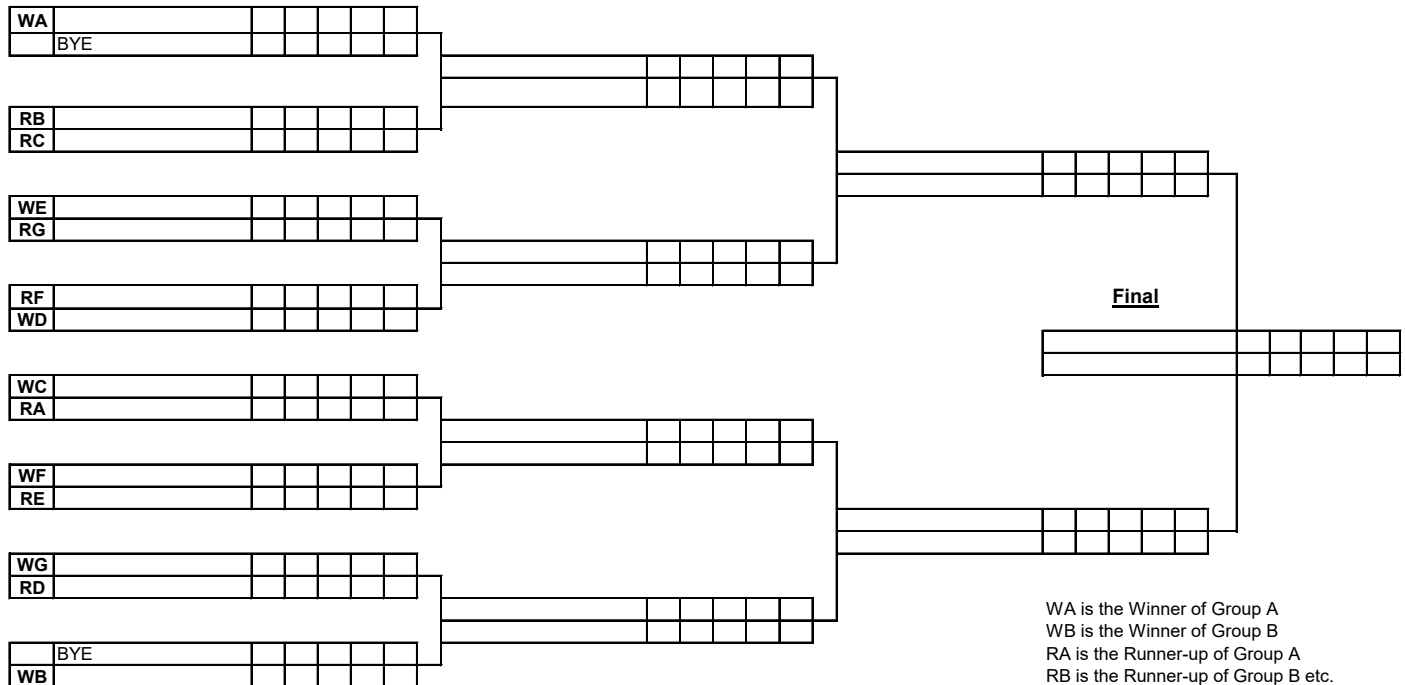
GROUP G		
330	ECCLES Eva	Nk
331	JONES Lucy	Du
332	DENTON Daisy	Gl
333	ALOCK Phoebe	Wo
334	LINDSAY Summer	St
335	TWOMY Bly	ESx

## GIRLS UNDER-16 KNOCKOUT STAGE - BLOCK D

### First Round

### Quarter Finals

### Semi Finals



## BOYS UNDER-19 GROUPS    BLOCK D

T25	GROUP A		T26	GROUP B		T27	GROUP C	
150	DENNISON Adam	Li	156	CHOTAI Krish	Sy	162	LIU Ka Hei Alex	WY
151	ALDRIDGE Ben	Nh	157	KUMAR Abhijay	Gl	163	ARCHER Jacob	LS
152	WILLIAMS Troy	Bk	158	MOORE Ryan	Bi	164	WEIGHTMAN Matt	Dy
153	SHARMA Raaghav	Ha	159	CHARLESTON George	LE	165	SAVAGE Jack	My
154	TURNER Morgan	WSx	160	BRADSHAW Jamie	So	166	KEARNEY Dillon	Le
155	NIMSE Shahuray	LN	161	HO Oliver	Nd	167	MURRAY Fraser	La

T28	GROUP D		T29	GROUP E		T30	GROUP F	
168	DUNKLEY Ben	Bd	174	JONES Fred	Ng	179	SAUNDERS Nathaniel	BC
169	FLYNN Harry	Du	175	NG Kwan Ying	LW	180	LAWSON Isaac	GtM
170	PRICE Bailey	SY	176	BOWMAN James	Ch	181	TANGE Alfie	Co
171	NG Jaymas	Wa	177	FLETCHER Theo	Wi	182	BOATANG Joseph	LC
172	CHIVERS Harry	Ex	178	HINE Christian	St	183	NGUYEN Hugo	Dv

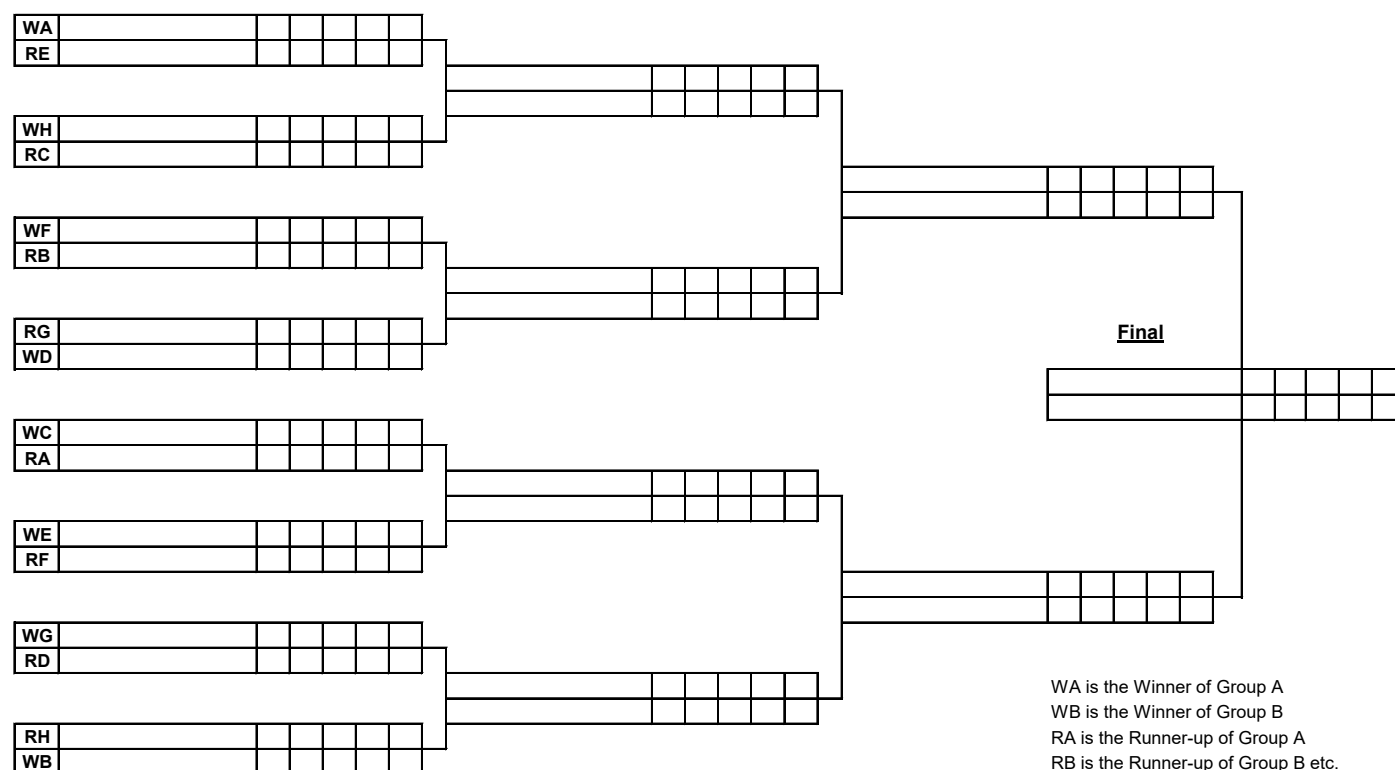
T31	GROUP G		T32	GROUP H	
184	LAW CHING Jay	Ca	189	SAINT Will	Bu
185	HALL Khai	T&W	190	LOWTHER Luke	Hu
186	GOUGH Harvey	Wo	191	TAILOR Ryan	He
187	WARD Spike	ESx	192	LIM Chris	Sp
188	BHANUSHALI Aniket	K	193	FORTNUM ADAMS Joseph	Sk

### BOYS UNDER-19 KNOCKOUT STAGE - BLOCK D

First Round

Quarter Finals

Semi Finals



## GIRLS UNDER-19 GROUPS BLOCK A

GROUP A			GROUP B			GROUP C		
350	SILOCK Hannah	Li	356	GREEN Anna	Ng	362	JONES Megan	Sp
351	LYONS Maddy	Ch	357	BEVAN Lydia	Dv	363	MURPHY Bella	Du
352	PUI YU CHUI Hanne	Wa	358	ELLIS AUSTIN Alesha	Ex	364	KWOK Audrey	LS
353	SARAVANANA Aradhana	He	359	RANSON Holly	Bk	365	WALSH Kiera	Co
354	DUTTA Alisha	LN	360	HUSSAIN Raeesah	LE	366	CHIMA Daya	Wa
355	CHEUNG Charlotte	Nk	361	ALI Anaiya	Li	367	DUMELOW Connie	Dy

GROUP D			GROUP E			GROUP F		
368	SHUTE Mabel	Ex	373	KEYS Saskia	K	378	ISLES Rachael	Bu
369	PYE Bethany	Gl	374	HANRAHAN Milly	Ch	379	BOYD Isabelle	My
370	HO Kaylee	LE	375	AUGUSTIN Jadeine	LC	380	MAXWELL Lauren	Wi
371	NOBLE Millie	Dy	376	PANG Yu Ching Ally	WY	381	LEE Sophie	LS
372	VAISHNAVI GHANTA Jyotirmayi	Be	377	PIERCEY Anna	Bu	382	ARCHARD Luna	LC

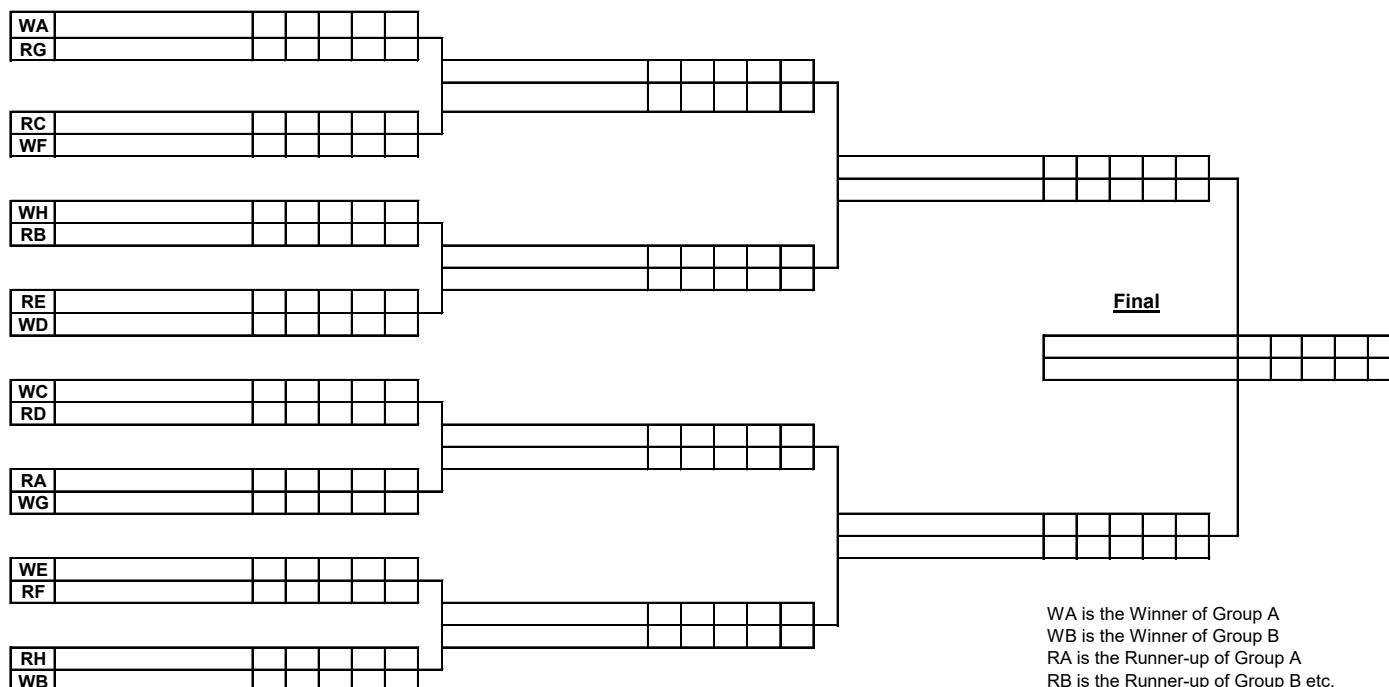
GROUP G			GROUP H		
383	LACORTE Isabel	He	388	ELLIS Bethany	La
384	THOMAS Pippa	Wo	389	KANT Anisha	WY
385	KOSZYK Gabriela	Nh	390	WATKINSON Katy	GtM
386	LIN Lisa	Sp	391	CHEUNG Karis	Wo
387	LO Zarita	Ng	392	ASHANI Parmis	LN

## GIRLS UNDER-19 KNOCKOUT STAGE - BLOCK A

### First Round

### Quarter Finals

### Semi Finals



## The 57th NATIONAL TEAM FINALS



- 8.30am Team Leader is required to check in at registration and confirm their registered players on arrival. Any additional team members must be notified at this time.
- 9.20am General let – Welcome and Housekeeping.
- 9.30am First matches commence.
- You are required to advise the Referee of any player substitutions at least 10 minutes prior to the start of the next match.
- This is a rolling schedule and matches in each event will follow as closely as possible after the end of the previous one.
- Presentations will be made after the conclusion of each age category at the earliest time after the last match.

### OFFICIALS

Team Event Organiser	Carol Miles
Referee	Jim Kenny
Deputy Referee	Dan Bullen
Shop and Raffle	Sandra Deaton
Publicity	Paul Stimpson
Photographer	Alan Man
Registration	Carol Miles
Official Umpires	Margaret Dignum, Gail Johns, Chris Parker & Lynda Reid
Presentations, Photography	Carol Miles & Match Manager for the age category event concluded
Presentation of Trophies	Andy Wilesmith, TTE Head of Table Tennis Development
Match Managers	Richard & Jayne Bardsley, Steve Burge, Mark Cleave, Chris Cockburn, Fred Coghlin, Kate Hughes, Marie Ingles, Bernie Leech, Steve Lyons & Dave Pilkington

### Where do you play?

TABLES 1 & 2	Boys Under-16
TABLES 3 & 4	Girls Under-19
TABLES 5 & 6	Girls Under-13
TABLES 7 & 8	Boys Under-11
TABLES 9 & 10	Boys Under-13
TABLES 11 & 12	Girls Under-16
TABLES 13 & 14	Boys Under-19
TABLES 15 & 16	Girls Under-11

### Match Managers

Kate Hughes / Jayne Bardsley (2nd round only)
Richard & Jayne Bardsley
Chris Cockburn
Maria Ingles
Mark Cleave / Fred Coghlin
Bernie Leech / Dave Pilkington
Steve Burge / Steve Lyons (2nd round only)
Steve Lyons / Fred Coghlin (2nd round only)

### Supporters' Code of Conduct

**We are happy that parents and friends support their players in a sportsmanlike manner but would ask that no adverse comments are aimed at or can be heard by your team's opponents. If your team manager has any concerns about behaviour or the correct application of rules they (and only they) should speak to the Match Manager who will deal with it or pass it on to the Referee if appropriate.**

## **BOYS UNDER-11 THE IRENE ELLIOTT CUP**

**Holders: St. Edward's Catholic Primary School, London Central**

### **Bedford Prep. School (Bedfordshire)**

- |                     |                       |
|---------------------|-----------------------|
| 1. Quba Thomas (61) | 2. Nayman Pattni (62) |
| 3. Sacha Ryan (63)  | 4. Gabe Stone (64)    |

Leaders: Simon Collier (coach), Shawn Phillips (teacher)

### **Bricknell Primary School (Hull, Humber)**

- |                       |                      |
|-----------------------|----------------------|
| 1. Harry Hodgson (66) | 2. Oliver Tariq (67) |
| 3. River Holborn (68) | 4. Eddie Ewart (69)  |

Leader: Shane Bradley (coach), Carolyn Barton (teacher)

### **London Academy (Edgware, London North)**

- |                        |                              |
|------------------------|------------------------------|
| 1. Zacharia Sarri (71) | 2. Rafael Hanzel-Wacker (72) |
| 3. Dominic Rimmy (73)  | 4. Nicolas Andrei (74)       |

Leader: Bhavin Savjani (coach)

### **Fox Primary School (Kensington & Chelsea, London Central)**

- |                            |                           |
|----------------------------|---------------------------|
| 1. Nikolas Karavas (76)    | 2. Zachary Feinberg (77)  |
| 3. Leo Sahmurov (78)       | 4. Yusuf Elnur (79)       |
| 5. Alexander Lundgren (80) | 6. Odysseas Karaasev (81) |

Leader: Natasha Moura (coach)

All matches to be played on Tables 7 and 8

9.30am matches:

T7: Fox Primary School (W) vs Bricknell Primary School (RU)

T8: Bedford Prep. School (W) vs London Academy (RU)

Match Manager: Maria Ingles

**GIRLS UNDER-11 THE MARTIN FOULSER CUP**  
**Holder: London Academy, Edgware (London North)**

**Bankfields Primary School (Middlesborough, Cleveland)**

1. Evie Main (161)
2. Mila Gao (162)
3. Mindy Gao (163)

Leader: Malcolm Muldoon (coach), Beth McIvenny (teacher) & Emma Gatenby (Head Teacher)

**Fox Primary School (Kensington & Chelsea, London Central)**

1. Evelyn Turner-Samuels (166)
2. Sophie Howe (167)
3. Lola Foldes (168)
4. Anaiyah Tan (169)
5. Elze Waker (170)

Leader: Natasha Moura (coach)

**London Academy (Edgware, London North)**

1. Serene Rahmani Walentynska (171)
2. Ruby Gandi Bamidele (172)
3. Naomi Adjei (173)
4. Alexia Ciobanica (174)

Leader: Hiba Feredj (coach)

**White Bridge Primary School (Loughton, Essex)**

1. Noella Schroder (176)
2. Ronya Tasdan (177)
3. Aaima Khan (178)

Leader: Dave Witteridge (coach)

All matches to be played on Tables 15 and 16

9.30am matches:

T15: London Academy (W) vs White Bridge Primary School (RU)

T16: Bankfields Primary School (W) vs Fox Primary School (RU)

Match Manager: Steve Lyons / Fred Coghlin



**BOYS UNDER-13 THE T. AUSTIN HARRISON CUP**  
**Holders: University College School, Hampstead, London Central**

**London Academy (Edgware, London North)**

- |                                    |                    |
|------------------------------------|--------------------|
| 1. Yacoub Rahmani-Walentynski (41) | 2. Adam Riadi (42) |
| 3. Connor Godley (43)              | 4. Stefan Pop (44) |
| 5. Lewis Macsween (45)             |                    |

Leader: Sherwin Remata (coach), Gabriel Achampong (coach)

**Dorothy Stringer School (Brighton, East Sussex)**

- |                                 |                       |
|---------------------------------|-----------------------|
| 1. Ryan Goodyear (46)           | 2. Finley Aitken (47) |
| 3. Rafa Macarenko De Paiva (48) | 4. Hewad Khorami (49) |

Leader: Teresa Bennett (coach), James Gill (teacher)

**King Edward VI Camp Hill School for Boys (Birmingham, West Midlands)**

- |                        |                             |
|------------------------|-----------------------------|
| 1. Ryaan Vikal (51)    | 2. Raiyan Bagasrawalla (52) |
| 3. Ayaan Pathania (53) | 4. Jeffrey Wang (54)        |

Leader: George Rees (teacher & coach)

**The Blue Coat School (Merseyside, Liverpool)**

- |                        |                            |
|------------------------|----------------------------|
| 1. Ranveer Chohan (56) | 2. Michael Prabaharan (57) |
| 3. William Berti (58)  | 4. Ollie Yu (59)           |

Leader: Edward Carney (coach)

All matches to be played on Tables 9 and 10

9.30am matches:

T 9: London Academy (W) vs The Blue Coat School, Liverpool (RU)

T. 10: King Edward VI Camp Hill School for Boys (W) vs Dorothy Stringer School (RU)

Match Manager: Mark Cleave / Fred Coghlin

**GIRLS UNDER-13 THE HARTSHILL CUP**

**Holder: The St. Marylebone CE School, Westminster, London Central)**

**London Academy (Edgware, London North)**

1. Soraya Rahmani-Walentynska (141)
2. Assil Sarri (142)
3. Shriya Nimse (143)
4. Inayah Zasella (144)

Leaders: Eamon Brennan & Hiba Feredj (coaches)

**Tudor Grange Academy (Solihull, West Midlands)**

1. Charlotte Lok Ching Wong (146)
2. Esther Cheng (147)
3. Cherie Au Yeung (148)

Leader: Antek Paszkowski (teacher)

**The St. Marylebone CE School (Westminster, London Central)**

1. Nour Alamine (151)
2. Zeina Negm (152)
3. Eva Yared (153)

Leaders: Amila Thilakarathna & Zion Boumpoutou (coaches)

**Horizon Community College (Barnsley, South Yorkshire)**

1. Zunaira Chavan (156)
2. Aliza Chavan (157)
3. Frankie Cooper (158)

Leader: Mrs Chavan (parent)

All matches to be played on Tables 5 and 6

9.30am matches:

T5: London Academy (W) vs Horizon Community College (RU)

T6: Tudor Grange Academy, Solihull (W) vs St Marylebone CE School (RU)

Match Manager: Chris Cockburn

**BOYS UNDER-16 THE LEACH-CARRINGTON CUP**  
**Holder: London Academy Edgware, London North**

**London Academy (Edgware, London North)**

- |                          |                        |
|--------------------------|------------------------|
| 1. Fernando Frandes (21) | 2. Parsa Yamin (22)    |
| 3. Shahuraj Nimse (23)   | 4. Ilyes Djeraoui (24) |
| 5. Devan Shah (25)       |                        |

Leader: Gabriel Achampong (coach)

**Charles Read Academy (Grantham, Lincolnshire)**

- |                       |                         |
|-----------------------|-------------------------|
| 1. Isaac Kingham (26) | 2. Abraham Sellado (27) |
| 3. Ryan Holland (28)  | 4. Tudor Eftinca (29)   |

Leader: Ashley Fountain (coach)

**The King's School, (Peterborough, Cambridgeshire)**

- |                    |                      |
|--------------------|----------------------|
| 1. Lewis Wu (31)   | 2. Wilson Zheng (32) |
| 3. William Wu (33) | 4. Terry Zheng (34)  |

Leader: Jamie Pinguenet (teacher)

**Devonport High School for Boys (Plymouth)**

- |                    |                           |
|--------------------|---------------------------|
| 1. Leo Nguyen (36) | 2. Hugo Nguyen (37)       |
| 3. Ben Saberi (38) | 4. Oliver Cunningham (39) |

Leader: Sonny Callicott (teacher)

All matches to be played on Tables 1 and 2

9.30am matches:

T1: London Academy (W) vs The King's School, Peterborough (RU)

T2: Charles Read Academy (W) vs Devonport High School for Boys (RU)

Match Manager: Kate Hughes (Jayne Bardsley 2nd round)

**GIRLS UNDER-16 THE MICK BETTS MEMORIAL CUP**  
 **Holders: London Academy, Edgware, London North**

**St. George's Catholic School (Westminster, London Central)**

1. Jonabel Taguibao (121)
2. Luna Archard (122)
3. Jadeine Augustin (123)

Leaders: Charlies Cahill (teacher), Amila Thilakarathna & Zion Boumpoutou (coaches)

**London Academy (Edgware, London North)**

1. Sienna Jetha (126)
2. Mauli Shah (127)
3. Alisha Dutta (128)

Leaders: Hiba Feredj & Gabriel Achampong (coaches)

**Toot Hill School (Nottingham, Nottinghamshire)**

1. Sally Atkinson (131)
2. Sophie Lager (132)
3. Evie McDowell (133)

Leader: Una Paramjothy (teacher and coach)

**Charles Read Academy (Grantham, Lincolnshire)**

1. Ella Pashley (136)
2. Lowri Hurd (137)
3. Emily Price (138)

Leader: Natalie Green (coach)

All matches to be played on Tables 11 and 12

9.30am matches:

T11: St George's Catholic School (W) vs Toot Hill School (RU)

T12: Charles Read Academy (W) vs London Academy (RU)

Match Manager: Bernie Leech / Dave Pilkington

**BOYS UNDER-19 THE NORMAN COOK CUP**

**Holder: Grantham College, Lincolnshire**

**Grantham College (Grantham, Lincolnshire)**

- |                     |                         |
|---------------------|-------------------------|
| 1. Toby Ellis (1)   | 2. Adam Dennison (2)    |
| 3. Joe Dennison (3) | 4. Gabriel Schogger (4) |
| 5. Alex Henry (5)   |                         |

Leader: Vidal Graham (coach)

**Tudor Grange Academy (Solihull, West Midlands)**

- |                            |                       |
|----------------------------|-----------------------|
| 1. Jaymas Ng (6)           | 2. Rex Ho (7)         |
| 3. Sheung Yin Sean Lee (8) | 4. Jack Mobberley (9) |
| 5. Haymas Ng (10)          |                       |

Leader: Antek Paszkowski (teacher)

**John Hampden Grammar School (High Wycombe, Buckinghamshire)**

- |                         |                          |
|-------------------------|--------------------------|
| 1. William Saint (11)   | 2. Jamie Woodford (12)   |
| 3. Nicholas Carter (13) | 4. Jake Butterfield (14) |
| 5. Charlie Cook (15)    |                          |

Leader: Lynn Butterfield

**Wallington County Grammar School (Sutton, London South)**

- |                      |                       |
|----------------------|-----------------------|
| 1. Chid Egbeama (16) | 2. Jacob Archer (17)  |
| 3. Akal Dosanjh (18) | 4. Ojasvii Borah (19) |

Leader: Goran Maric

All matches to be played on Tables 13 and 14

9.30am matches:

T13: Wallington County Grammar School (W) vs Tudor Grange Academy (RU)

T14: Grantham College (W) vs John Hampden Grammar School (RU)

Match Manager: Steve Burge (Steve Lyons 2nd round only)

**GIRLS UNDER-19 THE CLAUD KICHENSIDE CUP**  
**Holders: Heanor Gate Spencer Academy, Derbyshire**

**Burnham Grammar School (Burnham, Buckinghamshire)**

1. Anna Piercey (100)                      2. Vedashree Wagle (101)

Leader: Julia Stringman

**Royal Russell School (Croydon, London South)**

1. Audrey Kwok (106)                      2. Winnie Wang (107)

Leaders: Chris Hutchinson (Headteacher), Lindsey Smith (teacher/coach)

**Chellaston Academy (Chellaston, Derbyshire)**

1. Connie Dumelow (111)                      2. Millie Noble (112)

Leader: Melanie Dumelow (coach)

**Bradford Grammar School (Bradford, West Yorkshire)**

1. Evie Davies (116)                      2. Emma Meng (117)

Leader: Andy Crabtree (teacher/coach)

All matches to be played on Tables 3 and 4

9.30am matches:

T3: Burnham Grammar School (W) vs Bradford Grammar School (RU)

T4: Chellaston Academy (W) vs Royal Russell School (RU)

Match Manager: Richard & Jayne Bardsley



**TTE.TV**

**Watch LIVE and ON-DEMAND  
top table tennis action from  
the National and International  
competition calendar.**

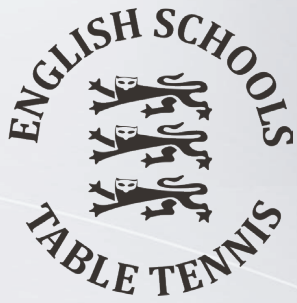
New content regularly added,  
including special features and interviews.

Free access for Table Tennis England Members.

Sign up  
today!

**TTE.TV**





# BUTTERFLY

Visit our trade stand and meet with our specialists who will be at the championships to discuss your requirements



English Schools National Teams competing at the ISF World Schools Table Tennis Championships held in Rio last year, supported by Butterfly and Tees Sport.



Westerby Road. Middlesbrough, TS3 8TD  
FREEPHONE 0800 458 4141  
Email [tabletennis@teessport.com](mailto:tabletennis@teessport.com)  
[teessport.com](http://teessport.com)